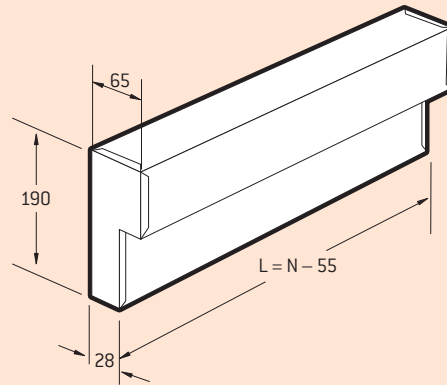
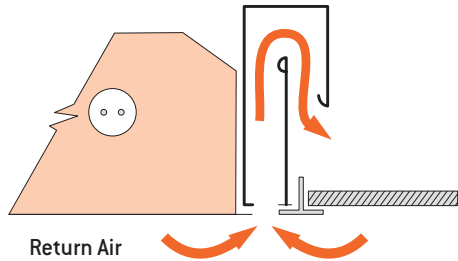


LT – Light Troffer Return

Model: LTR (Return Air)

Model LTR is a return air attachment to slotted light trim, providing a clear but light baffled path for air relieved from the conditioned space to the ceiling void.

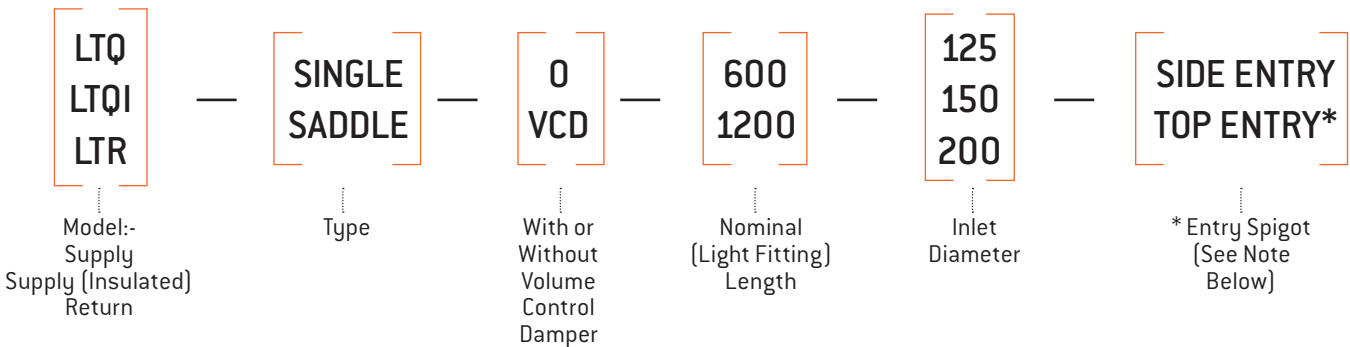


N= Nominal length of light fitting (Normally 1200 or 600)

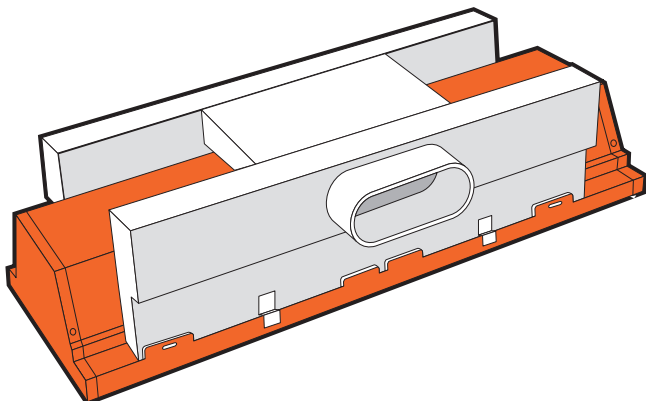
MODEL LTR PERFORMANCE

| LENGTH | Capacity l/s | 30 | 35 | 40 | 45 | 50 | 55 | 60 | 65 | 70 |
|---------|--------------|----|----|----|----|----|----|----|----|----|
| 600 mm | Neg.Ps.Pa | 5 | 15 | 19 | 23 | 32 | 43 | 51 | 58 | 68 |
| | NC | 23 | 28 | 31 | 35 | 38 | 41 | 44 | 47 | 49 |
| 1200 mm | Neg.Ps.Pa | 2 | 6 | 8 | 9 | 13 | 17 | 20 | 23 | 27 |
| | NC | - | - | 25 | 28 | 32 | 35 | 37 | 40 | 42 |

Diffuser Description Code Examples and Suggested Specification



*Top entry is an option only available for saddle fittings, in which case round inlets are furnished. In all other cases, inlets are oval to suit the nominated duct size.



Suggested Specification

Holyoake LT light troffer diffusers and return air slots shall be compatible with the chosen fluorescent light fitting, and shall be of steel construction, minimum thickness 0.55 mm.

Supply units shall be either single or saddle as shown on the drawings and shall be complete with integral directional control vanes and inlet dampers. Return air units should obscure the line of sight into the ceiling void, from below.

All shall be as manufactured by Holyoake.