

CMP-TL – Ceiling Multi Pattern Thermal

Model: CMP-TL Ceiling Thermal Diffuser

The CMP-TL Diffuser delivers a large volume of air, as well as offering the same exceptional pattern change characteristics as the CRA-T. The diffuser is based on the time proven CMP range, but with the added benefit of being able to supply a vertical stream of air, when an air conditioning system is in heating mode. This vertical stream is supplied through a central core which is controlled by a thermally actuated damper. The damper will start closure with supply air temperatures below 24°C and start to open when above 30°C.

The diffuser is designed to “lay-in” to a standard “T-Rail” ceiling system, as well as being able to be mounted in a solid ceiling. Duct entry must be vertical onto the back of the diffuser, to ensure a vertical projection through the thermally actuated damper.

Features

- Automatic air pattern change.
- High air flow capabilities.
- 4 way horizontal air flow pattern.
- Vertical airstream on heating mode
- Modern architectural design with Removable Core.
- Lay in diffuser size.
- Durable powder coat finish.

Construction

CMP-TL Diffusers are constructed out of aluminium. Precision combination corner gussets and braces keep mitres to a hairline. Cores snap into surrounds with nickel plated spring steel thumb clips. The central thermally actuated damper is constructed of a tough UV stabilised and fire rated engineering polymer.

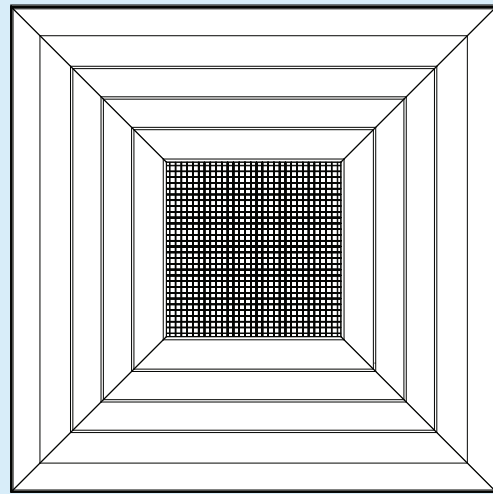
Notes on Performance Data

1. All Performance data is based on isothermal conditions.
2. Performance data is based on a vertical square entry duct attached to the back of the diffuser.
3. NC values are based on a room absorption of 10dB, re 10⁻¹² watts.

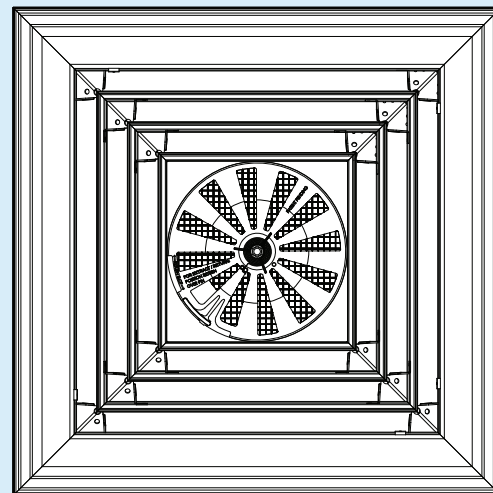
Due to a policy of continuous development and improvement the right is reserved to supply products which may differ slightly from those illustrated and described in this publication.

Guide Product Weights	
Description	Approximate Weight in Kg.
CMP-TL 450 x 450	1.94

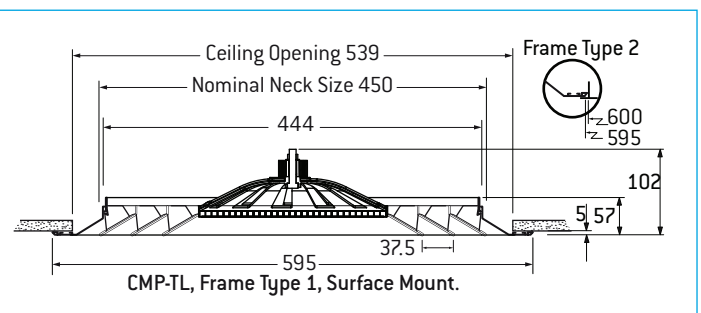
Ceiling Multi Thermal Diffuser



Face View



Rear View



Performance Data for 450 X 450 Neck Size

	0.050	0.100	0.200	0.300	0.400
Flow, m ³ /s	0.050	0.100	0.200	0.300	0.400
Neck Velocity, m/s	0.28	0.56	1.12	1.67	2.22
Velocity Pressure, Pa	-	0.5	1	2	3
HORIZONTAL PROJECTION Pt (Pa)	-	2.5	6	12	20
Throw (m) to Vt of:					
0.75 m/s	0.7	1.3	2.0	2.7	3.5
0.50 m/s	1.0	1.8	2.8	3.5	4.2
0.25 m/s	3.0	3.5	3.8	4.3	5.0
NC	<10	<10	20	33	40
VERTICAL PROJECTION Pt (Pa)	-	2	5	10	17
Downward Flow, m ³ /s	0.010	0.025	0.040	0.050	0.062
Throw (m) to Vt of:					
0.50 m/s	0.5	1	2	4	4.5
NC	<10	11	32	33	37

CMP-A, CMP-ADJ & CMPH

Product Ordering Key and Suggested Specifications

CMP	-	A	-	1	-	41	-	450x450	-	600x600	-	OBD	-	TRV	-	SRA 300 DIA CH 300 DIA	-	FINISH	
⋮		⋮		⋮		⋮		⋮		⋮		⋮		⋮		⋮		⋮	
Ceiling Multi Pattern		Aluminium		Frame Style		Core Pattern		Duct Size		Module Size		Opposed Blade Damper Attached		Throw Reducing Vanes		Square to Round Adaptor, or Cushion Head		Holyoake White Mill Aluminium Powder Coat	

Ceiling Multi Pattern Louver Face diffusers shall be type CMP-A and be all Aluminium construction with removable core, to give the air distribution pattern shown on the drawings. They shall be available with a range of frame styles and purpose made accessories for both throw adjustment and volume control.

All shall be as manufactured by Holyoake.

CMP-ADJ	-	2	-	41	-	225x225	-	600x600	-	OBD	-	TRV	-	SRA 150 DIA CH 150 DIA	-	FINISH	
⋮		⋮		⋮		⋮		⋮		⋮		⋮		⋮		⋮	
Ceiling Multi Pattern - Adjustable		Frame Style		Core Pattern		Duct Size		Module Size		Opposed Blade Damper Attached		Throw Reducing Vanes		Square to Round Adaptor, or Cushion Head		Holyoake White Mill Aluminium Powder Coat	

Ceiling Multi Pattern - Adjustable Louver Face diffusers shall be type CMP-ADJ. They shall be of all Aluminium construction, with removable cores. CMP-ADJ are fitted with vanes which can easily be adjusted to enable vertical, or horizontal throw.

All shall be as manufactured by Holyoake.

CMPH	-	2	-	41	-	300x300	-	600x600	-	OBD	-	TRV	-	SRA 150 DIA CH 150 DIA	-	FINISH	
⋮		⋮		⋮		⋮		⋮		⋮		⋮		⋮		⋮	
Ceiling Multi Pattern Horizontal		Frame Style		Core Pattern		Duct Size		Module Size		Opposed Blade Damper Attached		Throw Reducing Vanes		Square to Round Adaptor, or Cushion Head		Holyoake White Mill Aluminium Powder Coat	

Ceiling Multi Pattern Horizontal Louver Face diffusers shall be type CMPH and be all Aluminium construction with additional horizontal blades. Complete with removable core to give multiple air distribution patterns. They shall be available with a range of frame styles and accessories for both throw adjustment and volume control.

All shall be as manufactured by Holyoake.

Note: All ceiling diffusers, seismic restraints required, but not supplied.

CMPP & CMP - TL

Product Ordering Key and Suggested Specifications

CMPP	–	1	–	300x300	–	450 x 450	–	OBD	–	SRA 300 DIA CH 300 DIA	–	FINISH
⋮		⋮		⋮		⋮		⋮		⋮		⋮
Ceiling Multi Pattern Plaque		Frame Style		Duct Size		Module Size		Opposed Blade Damper Attached		Square to Round Adaptor, or Cushion Head		Holyoake White Mill Aluminium Powder Coat

Ceiling Multi Pattern - Plaque Louver Face diffusers shall be type CMPP. They shall be of all Aluminium construction, with removeable plaque core. CMPP have a range of frame styles and accessories for installation and volume control.

All shall be as manufactured by Holyoake.

CMP-TL	–	1	–	450x450	–	SRA 300 DIA CH 300 DIA	–	FINISH
⋮		⋮		⋮		⋮		⋮
Ceiling Multi Pattern - Thermal Low Cost		Frame Style		Neck Size		Square to Round Adaptor, or Cushion Head		Holyoake White Mill Aluminium Powder Coat

Ceiling Multi Pattern - Thermal Low Cost Louver Face diffusers shall be type CMP-TL. They shall be of Aluminium construction, with removeable cores. CMP-TL central cores, are complete with a vertical supply section controlled by a thermally actuated damper. Supply air is diffused horizontally below temperatures of 24°C and vertically with temperatures above 30°C.

All shall be as manufactured by Holyoake.

Note: All ceiling diffusers, seismic restraints required, but not supplied.