

Performance Notes

General Notes on performance charts for single or multi slot linear diffusers in this section.

- All pressures are Pa [N/m²].
- Projection (throw) values in metres are based upon the performance of a one metre long active section.** When only 300mm is active, the values are 0.6 times those shown. For a 3 metre long continuous length, the values are 1.8 times those shown. See table below:

Length mm	300	400	500	600	700	800	900	1000	1200	1500	1800	2000	2400	3000
Correction Factor	0.6	0.66	0.72	0.8	0.84	0.9	0.96	1	1.08	1.2	1.32	1.4	1.56	1.8

H : Horizontal projection : Minimum is to a terminal velocity of 0.75m/s and maximum to 0.25m/s.

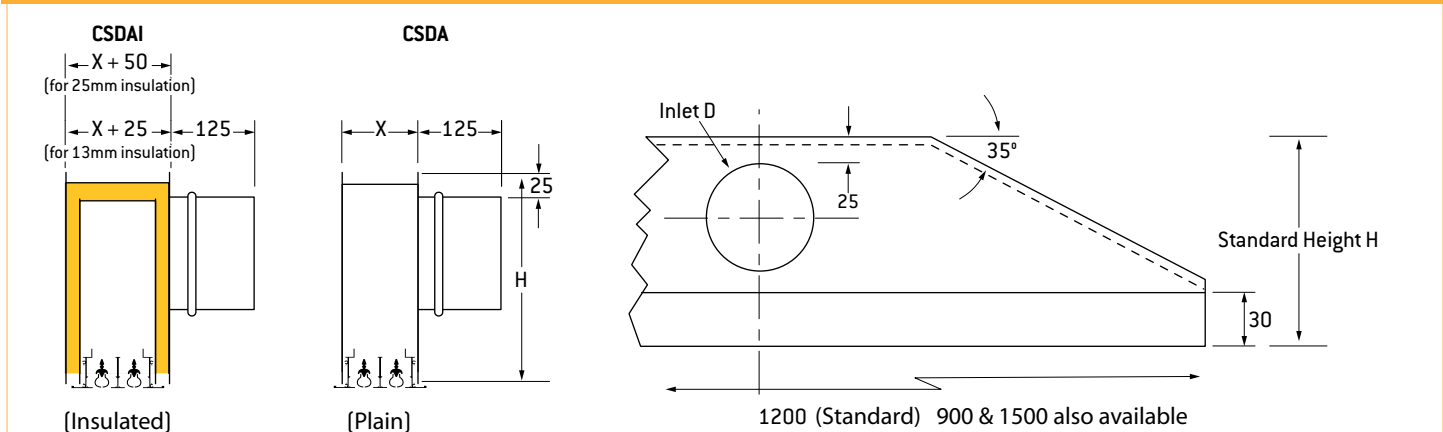
V : Vertical projection is to a terminal velocity of 0.25m/s.

- Spread is the maximum width of the jet defined by the above velocities.
- N.C. values are based upon horizontal projection from a three metre active section and a room absorption of 10dB re 10⁻¹² watts.** Vertical projection values are 11dB less than listed.
- N.C. correction for length:

Length mm	300	600	1000	1200	1800	2400	3000	4500	6000	7500	9000
Supply	-16	-11	-7	-6	-3	-2	0	+3	+5	+6	+8
Return	-10	-7	-5	-4	-2	-1	0	+2	+3	+4	+5

- Figures for plenum fed diffusers are for essentially zero inlet velocity. The velocity profile is relatively uniform for the length of the active section.
- Figures for adapter fed diffusers take account of the effect of the adapter and inlet neck on diffuser velocities which tend to be less uniform and produce a velocity profile of the shape shown in the Velocity-Throw diagram above. The 0.25m/s isovel generally shows a projection reduction at the centre of approximately 25%.

CSDA Adapters



CSDA Dimensions

No. of Slots	CSD-13			CSD-19			CSD-25		
	D	H	X	D	H	X	D	H	X
1	100	195	46	100	195	53	125	220	60
2	125	220	79	125	245	92	150	245	104
3	150	245	110	150	270	130	200	295	149
4	175	270	143	175	295	168	250	345	191

Guide Weights	
CSDA	CSDAI
1200	1200
4.78	5.08

- Notes:
- For sizes other than shown Standard Height H = Inlet Diameter +100.
 - Construction details may vary*.
 - Premi-aire™ versions available*.

* Please check with your local Holyoake branch.

Ceiling Slot Diffusers