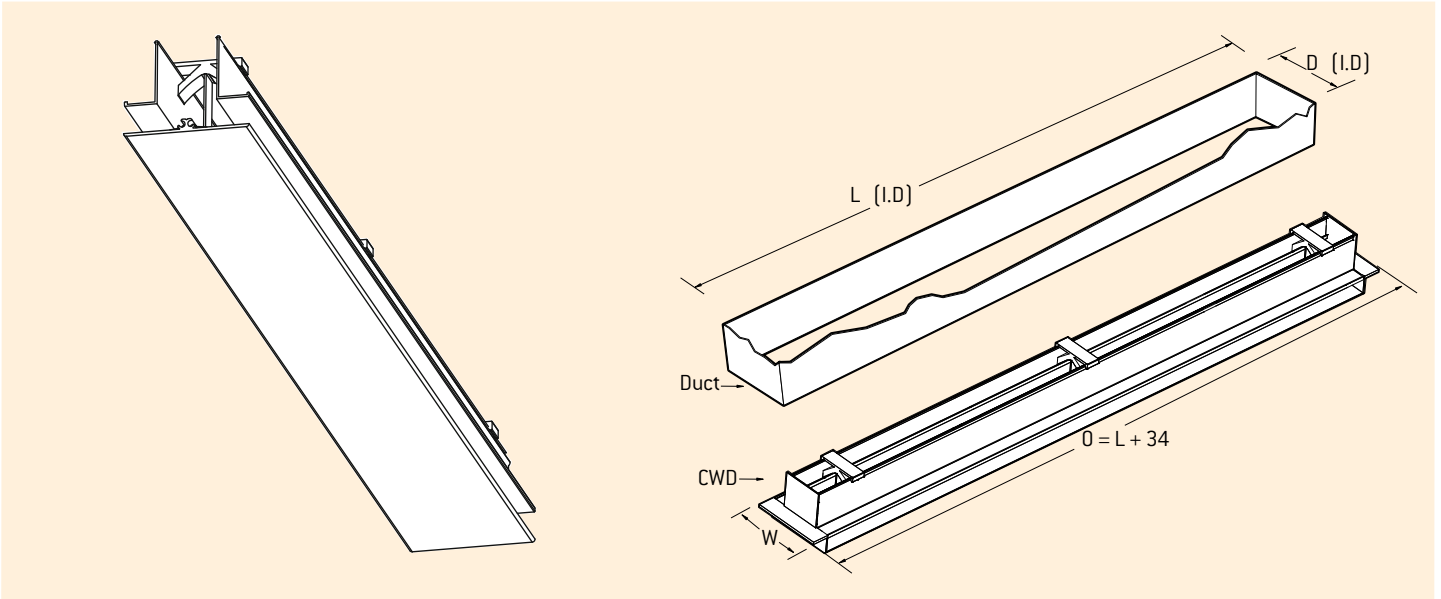


CWD – Ceiling Wash Diffuser

Model: **CWD**



Linear Side Slot Ceiling Wash Diffuser

The CWD Ceiling Wash Diffuser is an aesthetically designed flat faced ceiling mounted slot diffuser, for use in modern building interiors.

Its low profile face plate can be easily incorporated into the latest ceiling materials, providing unobtrusive air distribution over an extensive area.

Particularly suitable for variable air volume applications and where airflow with greater projection and spread is required.

Construction

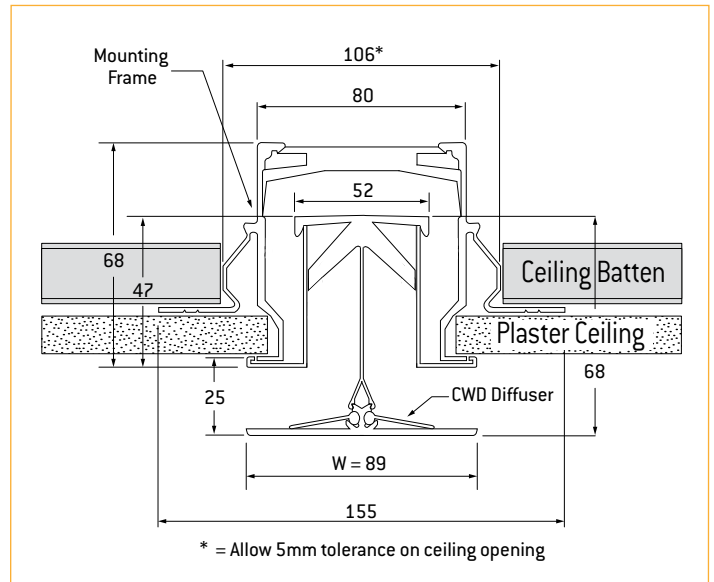
Construction is of extruded aluminium in continuous, or discrete length and incorporates flat air control pattern blades, allowing for single or bi-directional outlets.

Features

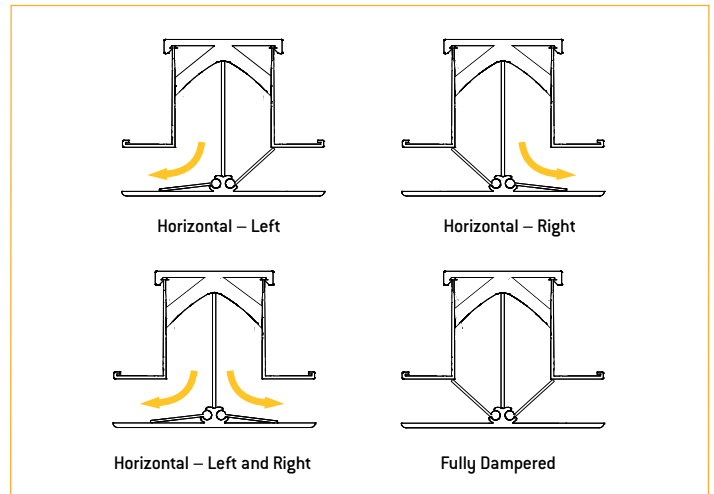
- Unique, unobtrusive, low-profile design.
- Lightweight extruded aluminium construction.
- Dual adjustable, black anodised, flat, air control pattern blades.
- Single or bi-directional airflow patterns.
- Significantly narrower width than conventional 2 slot linear diffusers.
- Suitable for adaptor fed or plenum duct supply.



CWD



Typical CWD Throw Options



Due to a policy of continuous development and improvement the right is reserved to supply products which may differ slightly from those illustrated and described in this publication.

Bi-Directional

900mm Diffuser Length		Air Flow Rate (l/s)					
		25	50	75	100	125	150
Total Pressure Pa.		2	5	9	16	24	36
Horizontal	0.75 m/s	0.3	0.4	0.5	0.9	1.0	1.5
Projection	0.50 m/s	0.5	0.7	0.8	1.4	1.6	1.8
(m)	0.25 m/s	0.9	1.5	1.8	2.1	2.4	2.7
Spread (m)	0.25 m/s	2.0	3.4	3.8	4.2	4.5	4.7
NC		21	22	23	24	25	28

1200mm Diffuser Length		Air Flow Rate (l/s)					
		50	75	100	125	150	175
Total Pressure Pa.		10	18	24	30	38	54
Horizontal	0.75 m/s	0.6	1.0	1.3	1.5	1.8	2.2
Projection	0.50 m/s	0.9	1.4	2.0	2.2	2.5	2.8
(m)	0.25 m/s	1.7	2.0	2.6	3.1	3.3	3.5
Spread (m)	0.25 m/s	4.2	4.8	5.1	5.3	5.7	5.9
NC		21	22	23	24	25	29

1500mm Diffuser Length		Air Flow Rate (l/s)					
		75	100	125	150	175	200
Total Pressure Pa.		10	18	25	36	53	79
Horizontal	0.75 m/s	0.6	0.8	1.1	1.6	1.9	2.2
Projection	0.50 m/s	1.3	1.6	1.8	2.0	2.2	2.5
(m)	0.25 m/s	1.5	1.8	2.0	2.3	2.7	3.3
Spread (m)	0.25 m/s	5.8	6.1	6.3	6.7	6.9	7.0
NC		21	22	23	24	25	28

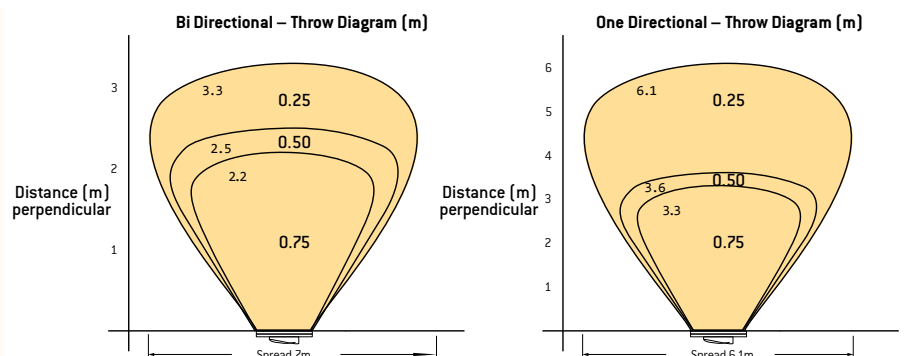
One-Directional

900mm Diffuser Length		Air Flow Rate (l/s)					
		25	50	75	100	125	150
Total Pressure Pa.		4	9	16	26	48	70
Horizontal	0.75 m/s	0.3	0.6	1.0	1.5	1.6	2.1
Projection	0.50 m/s	0.5	1.2	1.5	2.2	2.5	3.1
(m)	0.25 m/s	2.1	2.2	2.7	3.3	3.6	4.6
Spread (m)	0.25 m/s	4	4.5	4.8	4.9	5.1	5.2
NC		18	19	20	24	25	28

1200mm Diffuser Length		Air Flow Rate (l/s)					
		50	75	100	125	150	175
Total Pressure Pa.		12	16	25	38	62	89
Horizontal	0.75 m/s	0.9	1.4	1.5	1.8	2.9	3.3
Projection	0.50 m/s	1.3	1.5	2.1	2.3	2.7	3.6
(m)	0.25 m/s	2.5	3.3	4.1	5.1	5.7	6.1
Spread (m)	0.25 m/s	4.4	5.0	5.3	5.5	5.9	6.1
NC		19	20	24	25	29	32

Notes

1. Horizontal throw projection values are given for terminal velocities of 0.75, 0.50 and 0.25 m/s.
2. Spread values are for the maximum width of the jet defined by a terminal velocity of 0.25 m/s.
3. Throw and NC values are produced using Premi-aire™ adapter fed supply plenum boxes (including internal baffles).
4. When continuous lengths are used, longer throws may be achieved.
5. The NC values are based on a room absorption of 10 dB re 10⁻¹² watts.



[CWD] – **END 'F'** – **X 2800** – **CWD - MF** – **FINISH** – **OPTIONS**
Ceiling Wash Diffuser. End Border Type. 'L' Duct Length in mm. Ceiling Wash Diffuser Mounting Frame Holyoake White. Mill Aluminium. Powder Coat. **Premi-aire™ adapter fed supply box.**

Series CWD Ceiling Wash Diffusers shall be of extruded aluminium construction, complete with flat control pattern blades and mounting frame. Pattern controls shall be readily adjustable through the slots and shall be finished in matt black.

Series CWD Ceiling Wash Diffusers shall require a special CWD - MF mounting frame to accommodate the unique slimline diffuser profile and provide a straight and secure framework in which to finish the ceiling.

A Premi-aire™ adapter fed supply plenum box shall be provided to achieve the optimum airflow performance.

All shall be as manufactured by Holyoake.

Guide Product Weights

Model	Approximate Weight in Kg per metre
CWD (inc Mounting Frame)	4.0