

Model: LDH-CF Computer Floor Grille

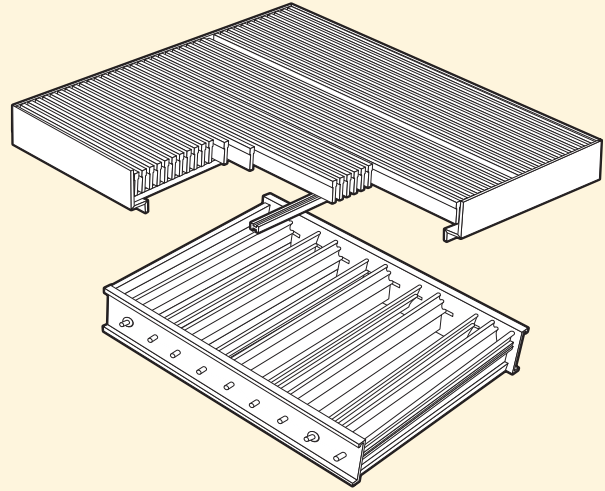
Heavy extruded aluminium construction with double mullion support bars notched at each blade intersection. The assembly is compressed mechanically to form a powerful bond between blades and mullions.

Vertical throw units have been independently tested to 500kg concentrated load on an area of 645mm² (1 square inch) at the centre. Deflection under load is 0.66mm and there is no permanent deflection.

Units are also available with 15° air divergence left, centre 0° and 15° right, in equal sections, to provide a wider spread of discharge air, and a reduction of approximately 20% of rated throw.

Grilles are manufactured in standard 600 x 600 modules, 32 mm thick and are designed to replace any standard floor tile. They are compatible with most computer floor systems.

For Special Size, Thickness and Discharge applications, refer to your local Holyoake Branch. The following will be required when ordering: Depth of floor, type of pedestal and drawings/photos.



MODULE 600 x 600: 0° DEFLECTION

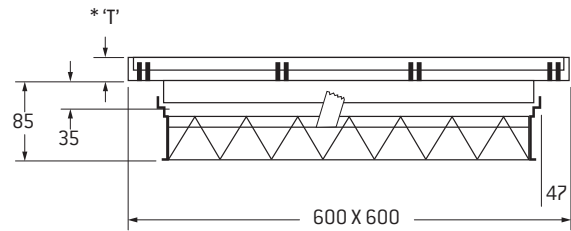
| | | | | | | |
|-------------------|-------|-------|-------|-------|-------|-------|
| m ³ /s | 0.174 | 0.340 | 0.505 | 0.672 | 0.838 | 1.004 |
| N. C. | - | 11 | 20 | 28 | 34 | 39 |
| Throw M | 1.0 | 1.5 | 3.0 | 4.5 | 6.0 | 7.0 |
| Total Pressure Pa | 1 | 2 | 5 | 10 | 16 | 22 |

Accessories

Volume control damper OBD #2 (adjustable through louver face).

Guide Product Weights

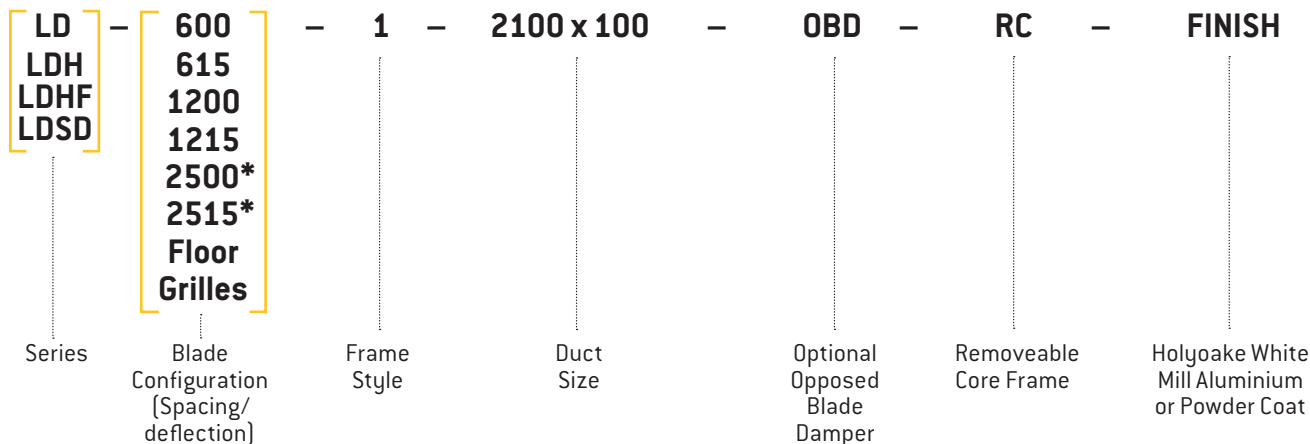
| Model | Approximate Weight in Kg |
|--------|--|
| LDH-CF | Based on configuration and accessories |



* Dimension 'T' (Tile thickness) must be specified at time of order, between limits of 50 and 25mm. Where 'T' is less than 32mm, continuous support is required along all four sides to maintain the concentrated load bearing strength.

LD, LDH, LDHF, LDSD & PMF

Diffuser Description Code Examples and Suggested Specifications



* Return/Exhaust Grilles, not suitable for floor applications.

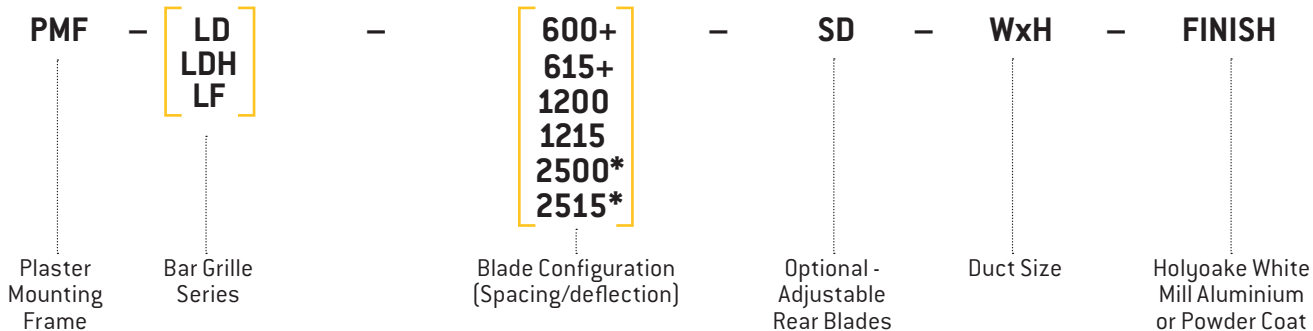
The Holyoake LD Range of linear diffusers shall be of extruded aluminium construction. Blades shall be mechanically expanded into notched mullions spaced at nominal centres. Diffusers shall be fitted with accessory dampers and have optional frame styles and finish where indicated.

All shall be as manufactured by Holyoake.



Holyoake LDH-CF Computer Floor supply grilles shall be of extruded aluminium, welded construction, with blades mechanically expanded into double, notched mullions spaced at nominal centres. They shall be designed to withstand a concentrated load of 500 kg over an area of 645mm² (1 square inch) at the centre, with no permanent distortion and maximum deflection under load of 0.66mm. Accessory volume control dampers, adjustable through the face, shall be furnished where indicated.

The whole assembly shall be as manufactured by Holyoake.



* Return/Exhaust Grilles, not suitable for floor applications. +See Notes on Page 68B.

Holyoake Series PMF – Plaster Mounting Frame shall be of extruded aluminium construction.

PMF Grilles shall have a flange width no greater than 6mm.

The Plaster Mounting Frame shall be fixed into a wall opening and plaster stopped before fitting of the Flangeless Grille. The Grille shall have blades notched into mullions spaced at nominal centres and may have a second row of adjustable 'SD' blades if specified.

All shall be as manufactured by Holyoake.

Note When LD Variants are ceiling mounted, seismic restraints are required, but not supplied.