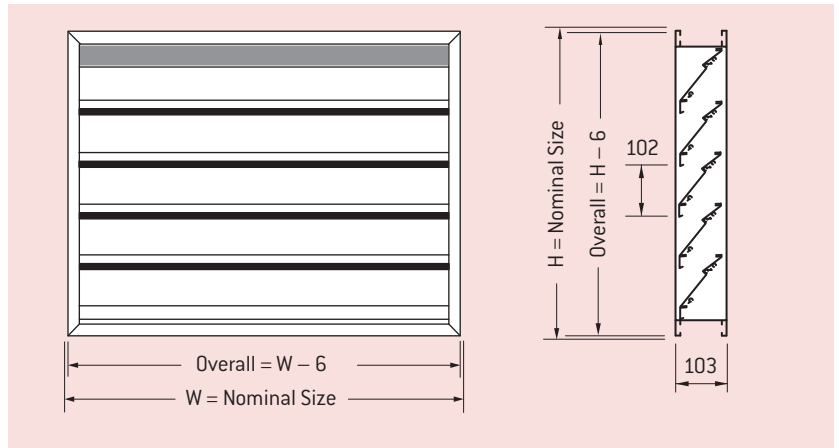


OHL – Outside Horizontal Louvers

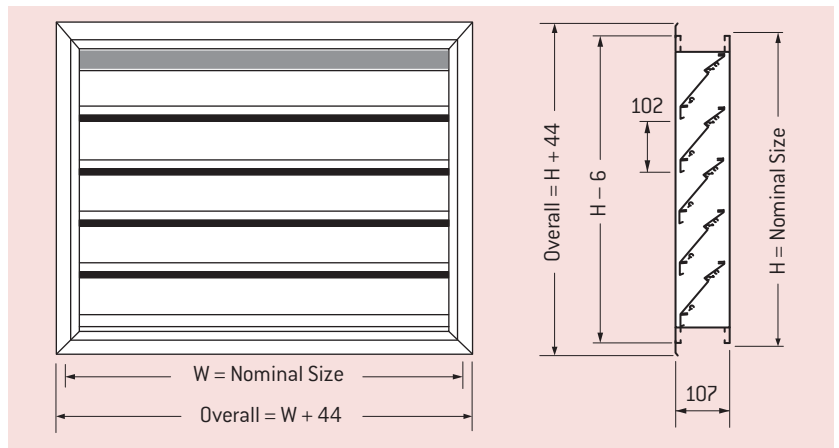
Model: OHL-C-102

102mm horizontal curved profile louvers in a channel surround. Blade features double weather stop.



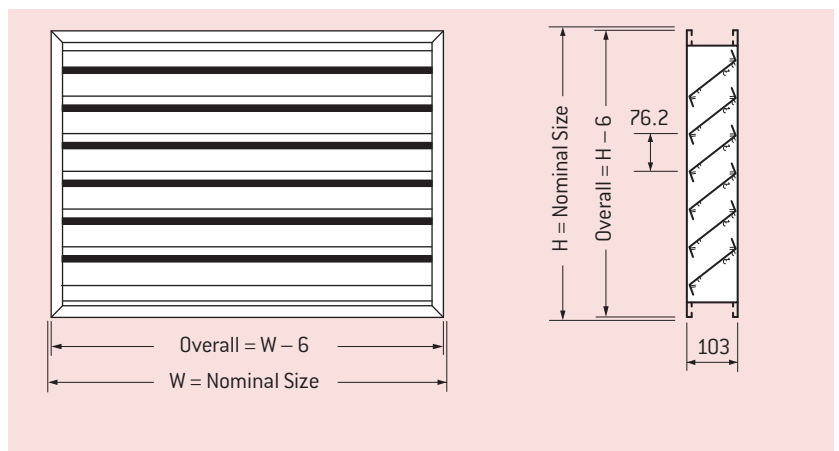
Model: OHL-F-102

102mm horizontal curved profile louvers in a flanged surround. Blade features double weather stop.



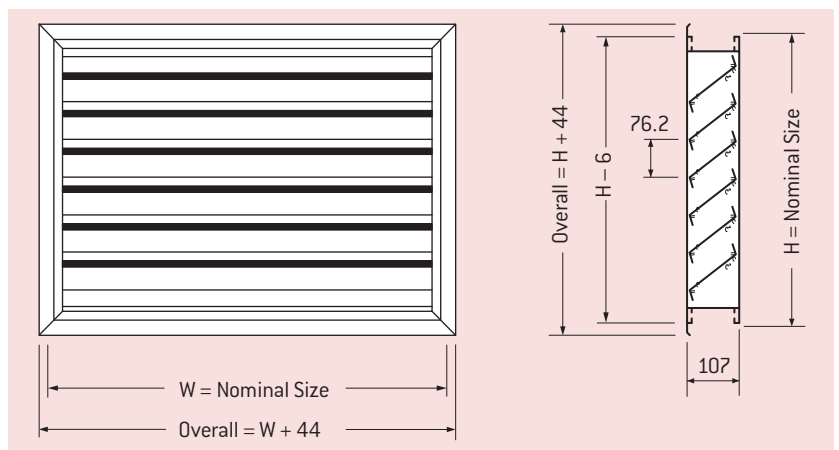
Model: OHL-C-124

76mm horizontal straight profile louvers in a channel surround. (For continuous appearance with concealed mullion specify OHL-C-124-A)



Model: OHL-F-124

76mm horizontal straight profile louvers in a flanged surround. (For continuous appearance with concealed mullion specify OHL-F-124-A)



Model: OHL 102 and OHL 124 are available in conventional unit construction, with a maximum blade length of 2.8 metres, or for greater lengths an architectural style is available to give continuous line, uninterrupted by mullions or surrounds. Louvers can be either pre-fabricated or pre-cut and supplied in sections for field erection on sites with more difficult access. Blades snap into concealed mullion clips.

Notes

1. On sections greater than 900mm wide a 40 x 40 mullion will be used to support the blades. This increases the depth of the louver by 40mm.

2. Installation of outside louvers in exterior walls must comply with the New Zealand or Australian Building Code.
3. Some outside louvers are available in other flange widths.

Models: **OHL-C-102 and OHL-F-102**
OHCL-C-102 and OHCL-F-102

Effective pressure area (sq. metres)

Width "W", mm.	300	450	600	750	900	1050	1250	1500	1750	2000	2250	2500	
Height "H", mm.													0.1
300	0.01	0.02	0.03	0.04	0.05	0.05	0.06	0.08	0.09	0.10	0.12	0.13	0.2
400	0.03	0.04	0.06	0.07	0.09	0.10	0.12	0.15	0.18	0.20	0.23	0.26	0.3
500	0.04	0.06	0.08	0.11	0.13	0.15	0.18	0.22	0.26	0.30	0.34	0.38	0.5
600	0.05	0.08	0.11	0.14	0.17	0.19	0.25	0.30	0.35	0.40	0.45	0.50	0.75
700	0.06	0.10	0.14	0.18	0.22	0.24	0.31	0.37	0.43	0.50	0.56	0.63	1.0
800	0.07	0.12	0.17	0.21	0.26	0.29	0.37	0.44	0.52	0.60	0.67	0.75	1.5
900	0.09	0.14	0.19	0.25	0.30	0.34	0.43	0.52	0.60	0.69	0.78	0.87	2.0
1000	0.10	0.16	0.22	0.28	0.34	0.38	0.49	0.59	0.69	0.79	0.89	1.00	2.5
1100	0.11	0.18	0.25	0.32	0.39	0.43	0.55	0.66	0.78	0.89	1.00	1.12	3.0
1200	0.12	0.20	0.28	0.35	0.43	0.48	0.61	0.73	0.86	0.99	1.12	1.24	3.5
1300	0.14	0.22	0.30	0.39	0.47	0.53	0.67	0.81	0.95	1.09	1.23	1.37	4.0
1400	0.15	0.24	0.33	0.42	0.51	0.57	0.73	0.88	1.03	1.18	1.34	1.49	4.5
1500	0.16	0.26	0.36	0.46	0.56	0.62	0.79	0.95	1.12	1.28	1.45	1.61	5.0
1600	0.17	0.28	0.39	0.49	0.60	0.67	0.85	1.03	1.20	1.38	1.56	1.74	5.5
1700	0.18	0.30	0.41	0.53	0.64	0.72	0.91	1.10	1.29	1.48	1.67	1.86	6.0
1800	0.20	0.32	0.44	0.56	0.68	0.77	0.97	1.17	1.37	1.58	1.78	1.98	6.5
1900	0.21	0.34	0.47	0.60	0.73	0.81	1.03	1.24	1.46	1.67	1.89	2.11	7.0
2000	0.22	0.36	0.50	0.63	0.77	0.86	1.09	1.32	1.54	1.77	2.00	2.23	7.5

Outside Louvers

Models: **OHL-C-124 and OHL-F-124**

Effective pressure area (sq. metres)

Width "W", mm.	300	450	600	750	900	1050	1250	1500	1750	2000	2250	2500	
Height "H", mm.													0.1
300	0.02	0.03	0.05	0.06	0.07	0.08	0.11	0.13	0.15	0.17	0.19	0.22	0.2
400	0.04	0.06	0.08	0.10	0.12	0.14	0.18	0.21	0.25	0.29	0.32	0.36	0.5
500	0.05	0.08	0.11	0.14	0.17	0.19	0.25	0.30	0.35	0.40	0.45	0.50	1.0
600	0.06	0.10	0.14	0.18	0.22	0.25	0.32	0.38	0.45	0.51	0.58	0.65	1.5
700	0.08	0.13	0.18	0.22	0.27	0.30	0.39	0.47	0.55	0.63	0.71	0.79	2.0
800	0.09	0.15	0.21	0.26	0.32	0.36	0.46	0.55	0.65	0.74	0.84	0.93	2.5
900	0.11	0.17	0.24	0.31	0.37	0.42	0.53	0.64	0.75	0.86	0.97	1.08	3.0
1000	0.12	0.20	0.27	0.35	0.42	0.47	0.60	0.72	0.85	0.97	1.10	1.22	3.5
1100	0.14	0.22	0.30	0.39	0.47	0.53	0.67	0.81	0.95	1.09	1.23	1.36	4.0
1200	0.15	0.24	0.34	0.43	0.52	0.58	0.74	0.89	1.05	1.20	1.35	1.51	4.5
1300	0.16	0.27	0.37	0.47	0.57	0.64	0.81	0.98	1.14	1.31	1.48	1.65	5.0
1400	0.18	0.29	0.40	0.51	0.62	0.69	0.88	1.06	1.24	1.43	1.61	1.80	5.5
1500	0.19	0.31	0.43	0.55	0.67	0.75	0.95	1.15	1.34	1.54	1.74	1.94	6.0
1600	0.21	0.34	0.46	0.59	0.72	0.80	1.02	1.23	1.44	1.66	1.87	2.08	6.5
1700	0.22	0.36	0.49	0.63	0.77	0.86	1.09	1.32	1.54	1.77	2.00	2.23	7.0
1800	0.24	0.38	0.53	0.67	0.82	0.91	1.16	1.40	1.64	1.89	2.13	2.37	7.5
1900	0.25	0.40	0.56	0.71	0.87	0.97	1.23	1.48	1.74	2.00	2.26	2.51	8.0
2000	0.26	0.43	0.59	0.75	0.92	1.03	1.30	1.57	1.84	2.11	2.39	2.66	8.5

Pressure requirement for outside louvers

Velocity, m/s **	1.0	1.5	2.0	2.5	3.0	3.5	4.0	4.5	5.0	5.5	6.0	6.5	7.0	7.5
Intake*	2	4	7	11	16	22	29	37	45	55	65	77	89	102
Exhaust*	1	3	5	8	11	15	19	24	30	37	43	51	59	68

*Total Pressure Pa (N/m²) **Velocity corresponding to Effective Pressure Area m³/s = Velocity Times Effective Pressure Area.

Example of selection for outside louvers

Select an outside louver for exhausting 0.581 m³/s with a pressure requirement of 11 Pa (N/m²).

1. From pressure requirement table a velocity of 3.0 m/s is indicated as acceptable for an exhaust pressure of 11 Pa (N/m²).
2. The effective pressure area corresponding to this velocity and air quantity is

$$\text{Area} = \frac{\text{m}^3/\text{s}}{\text{velocity}} = \frac{0.581}{3} = 0.19\text{m}^2$$

3. For a model OHL-C-124 louver an effective pressure area of 0.19 m² is approximately satisfied by a 1050 mm wide x 500 mm high; 450 mm wide x 1000 mm high, etc.

OHCL, OHL, OHL-D, OHL-DRC, & OHL-LAOGS

Louver Description Code Examples and Suggested Specifications

OHCL	—	F C	—	102 124	—	W x H	—	OPTIONS	—	FINISH
Model - Closable Outside Horizontal Louver		Frame Style (F = Flange, C = Channel)		Blade size & configuration		Opening		24 V AC/DC Motor 230 V AC Motor		Powder Coat Anodised Mill Aluminium
<p>Closable Horizontal Outside Louvers shall be of extruded aluminium construction with black anodised blades with integral flange and extruded vinyl edge seal. Fixed blades incorporate expanded aluminium bird screen. Blade closure is via Gang Linkage bars either manually, or by a factory fitted linear motor. Closable Louvers shall be Series OHCL. All shall be as manufactured by Holyoake.</p>										

OHL	—	F C	—	34 45 102 124	—	W x H	—	BM/IS	—	FINISH
Model - Outside Horizontal Louver		Frame Style (F = Flange, C = Channel)		Blade size & configuration		Opening		Bird Mesh or Insect Screen		Powder Coat Anodised Mill Aluminium
<p>Horizontal Outside Louvers shall be of extruded aluminium construction with 100 mm blades fixed at their ends with stainless steel screws into a welded aluminium frame. The bottom louver shall overlap the frame and the structure shall be designed to withstand a wind load of 95 Kg/m². Louvers shall be type OHL - F - 102. All shall be as manufactured by Holyoake. [Example specification shown is for a flanged OHL-F-102].</p>										

OHL	—	F C	—	D	—	W x H	—	BM/IS	—	FINISH
Model - Outside Horizontal Louver		Frame Style (F = Flange, C = Channel)		Drainable Blade		Opening		Bird Mesh or Insect Screen		Powder Coat Anodised Mill Aluminium
<p>Drainable Horizontal Outside Louvers shall be of extruded aluminium construction with blades which drain through vertical down pipes to discharge water at the bottom of the louver. Louvers shall be type OHL - D. All shall be as manufactured by Holyoake.</p>										

OHL	—	F C	—	DRC	—	W x H	—	SECURITY MESH	—	OPTIONS	—	FINISH
Model - Outside Horizontal Louver		Frame Style (F = Flange, C = Channel)		Drainable Closable Blade		Opening		Gym Mesh		24 V AC/DC Motor 230 V AC Motor		Powder Coat Anodised
<p>Drainable Closable Horizontal Outside Louvers, shall be of extruded aluminium construction, with special overlapping drainable closable blades and complete with extruded aluminium security mesh on the rear. Blade closure is via Linkage bars in a concealed cavity, either manually, or by a suitable factory fitted motor. Drainable Closable Louvers shall be Series OHL - DRC. All shall be as manufactured by Holyoake.</p>												

OHL	—	LAOGS	—	W x H	—	BM/IS	—	FINISH
Model - Outside Horizontal Louver		Type		Opening		Bird Mesh or Insect Screen		Powder Coat Anodised Mill Aluminium
<p>OHL - LAOGS Horizontal Outside Louvers shall be constructed from welded aluminium construction. Bird Mesh is fitted to the rear as standard. Louvers shall be type OHL-LAOGS. All shall be as manufactured by Holyoake.</p>								

OVL, OHL-KD, PHL, ST2/4 & LOUVER DOOR

Louver Description Code Examples and Suggested Specifications

<p>OVL – [F] – [99] – W x H – [BM/IS] – FINISH</p> <p style="text-align: center;"> C 148 </p>	<p>Model - Outside Vertical Louver</p> <p>Frame Style (F = Flange, C = Channel)</p> <p>Blade Size and Configuration</p> <p>Opening</p> <p>Bird Mesh or Insect Screen</p> <p>Powder Coat Anodised Mill Aluminium</p>	<p>Vertical Outside Louvers shall be of extruded aluminium construction with blades fixed at ends with stainless steel screws into a mitred and mechanically locked extruded aluminium frame. Intermediate blade stabilizing spacer clips shall be fitted where blade length exceeds 900mm and the structure shall be designed to withstand a wind load of 95kg/m².</p> <p>Louvers shall be type OVL-C-99.</p> <p>All shall be as manufactured by Holyoake.</p> <p>(Example specification shown is for OVL-C-99).</p>
---	---	--

<p>OHL-KD – 100 – W x H – [BM/IS] – FINISH</p>	<p>Model - Outside Horizontal Louver - Knock Down</p> <p>Blade Style</p> <p>Opening</p> <p>Bird Mesh or Insect Screen</p> <p>Powder Coat Anodised Mill Aluminium</p>	<p>OHL-KD (Knock Down) Outside Horizontal Louvers shall be manufactured from aluminium extrusion and are supplied in Kit Form for on site assembly, by others. The louver blades shall be sight proof, complete with two water stops and may be provided in a powder coat finish, with Bird Mesh, or Insect Screen.</p> <p>Louvers shall be type OHL - KD - 100.</p> <p>All shall be as manufactured by Holyoake.</p>
---	--	---

<p>PHL – [102] – W x L x H – [BM/IS] – FINISH</p> <p style="text-align: center;"> 124 </p>	<p>Model - Penthouse Louver</p> <p>Blade Style</p> <p>Opening x Height</p> <p>Bird Mesh or Insect Screen</p> <p>Powder Coat Mill Aluminium</p>	<p>PHL Penthouse Louvers shall be constructed from welded aluminium extrusion with mitred corners. Heavy, extruded aluminium blades and heavy gauge aluminium roof, with bird mesh, or insect screen.</p> <p>Penthouse Louvers shall be Series PHL-102, or PHL-124.</p> <p>All shall be as manufactured by Holyoake.</p>
---	--	--

<p>[OHL – ST2] – W x H – FINISH</p> <p style="text-align: center;"> ST4 </p>	<p>Model - ST2 (2 Row) ST4 (4 Row) Sound Trap</p> <p>Opening</p> <p>Mill Aluminium</p>	<p>OHL-ST Sound Trap attachments shall be constructed of a number of cylindrical sound absorbing elements, all housed in a sheet aluminium surround which matches the selected OHL louver.</p> <p>Sound Traps shall be Series OHL - ST2, or OHL - ST4.</p> <p>All shall be as manufactured by Holyoake.</p>
---	--	---

<p>OHL-LOUVER DOOR – [F] – [34] – W x H – [BM/IS] – FINISH</p> <p style="text-align: center;"> C 45 102 124 D </p>	<p>Model - Outside Horizontal Louver Door</p> <p>Frame Style (F = Flange, C = Channel)</p> <p>Blade Size and Configuration</p> <p>Opening</p> <p>Bird Mesh or Insect Screen</p> <p>Powder Coat Anodised Mill Aluminium</p>	<p>OHL-LOUVER DOORS are robustly constructed with Aluminium box section frames and extruded aluminium blades of the size and configuration required. High quality stainless steel hinges shall be used to support the relevant door loads. A 'High Quality' lock set and handle shall be provided as standard, as well as rubber seals to eliminate door rattle.</p> <p>Louver Doors shall be Series OHL-Louver Doors.</p> <p>All shall be as manufactured by Holyoake.</p>
--	--	---

<p>OHL – [F] – 100WT – W x H – [BM/IS] – FINISH</p> <p style="text-align: center;"> C </p>	<p>Model - Two stage weather trap louver</p> <p>Frame Style (F = Flange, C = Channel)</p> <p>Blade Size and Configuration</p> <p>Opening</p> <p>Bird Mesh or Insect Screen</p> <p>Powder Coat Anodised Mill Aluminium</p>	<p>Horizontal Outside weather trap louvers shall be of extruded aluminium construction with 100mm front blades fixed at their ends and complete with second stage blades at the rear. The bottom louver shall overlap the frame and the structure shall be designed to withstand a wind load of 95 kg/m².</p> <p>Louvers shall be type OHL-F-100WT.</p> <p>All shall be as manufactured by Holyoake.</p>
--	---	---