

# Outside Horizontal Louvers – OHL-LAOGS

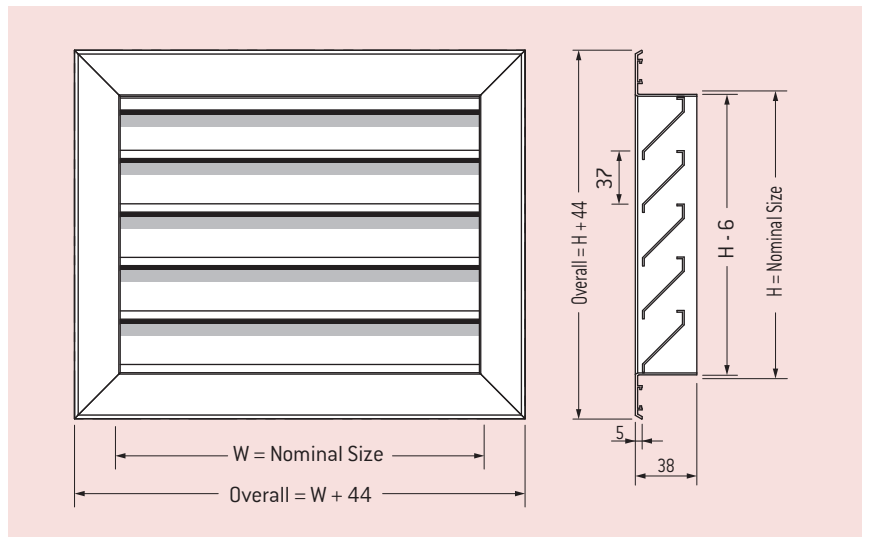
## Model: OHL-LAOGS

LAOGS outside louvers are suitable for intake and exhaust applications.

All components are manufactured from mill finish aluminium, with 37 mm straight profile louvers and are available in Mill Finish, Powder Coated, or Anodised.

Bird mesh is fitted to the rear of the louver as standard.

LAOGS maximum one-piece construction size is 1500 x 1800. Larger sizes can be made in multiple sections.



## Model: OHL-LAOGS - Selection Data

### Effective pressure area (sq. metres)

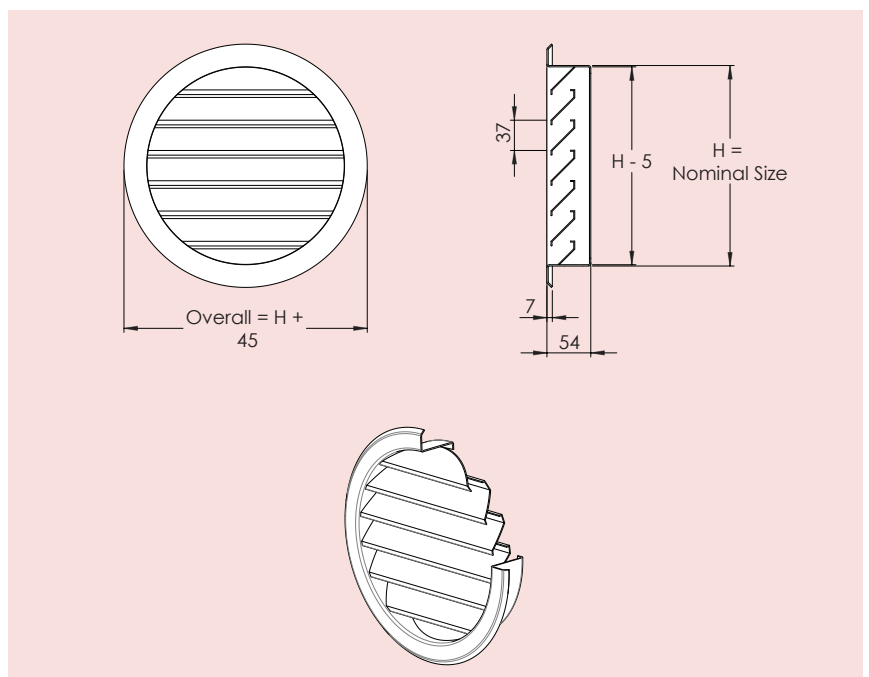
Width "W", mm.	300	350	400	450	500	600	750	900	1050	1200	1350	1500		
Height "H", mm.									0.1					
300	0.03	0.04	0.04	0.05	0.05	0.06	0.08	0.10	0.11	0.13	0.15	0.16	0.2	
400	0.05	0.05	0.06	0.07	0.08	0.09	0.12	0.14	0.16	0.19	0.21	0.23	0.3	
500	0.06	0.07	0.08	0.09	0.10	0.12	0.15	0.18	0.21	0.24	0.27	0.30	0.37	
600	0.07	0.09	0.10	0.11	0.12	0.15	0.19	0.22	0.26	0.30	0.34	0.37	0.5	
700	0.08	0.10	0.11	0.12	0.14	0.17	0.21	0.25	0.29	0.34	0.38	0.42	0.5	
800	0.10	0.11	0.13	0.15	0.16	0.19	0.24	0.29	0.34	0.39	0.44	0.49	0.5	
900	0.11	0.13	0.15	0.17	0.18	0.22	0.28	0.33	0.39	0.45	0.50	0.56	0.7	
1000	0.12	0.14	0.16	0.18	0.20	0.24	0.30	0.36	0.42	0.48	0.55	0.61	0.7	
1100	0.13	0.16	0.18	0.20	0.22	0.27	0.34	0.40	0.47	0.54	0.61	0.68	0.7	
1200	0.15	0.17	0.20	0.22	0.25	0.30	0.37	0.45	0.52	0.60	0.67	0.75	1.0	
1300	0.16	0.18	0.21	0.24	0.26	0.32	0.39	0.47	0.55	0.63	0.71	0.79	1.0	
1400	0.17	0.20	0.23	0.26	0.29	0.34	0.43	0.52	0.60	0.69	0.78	0.86	1.0	
1500	0.18	0.21	0.25	0.28	0.31	0.37	0.46	0.56	0.65	0.75	0.84	0.93	1.0	
1600	0.20	0.23	0.26	0.30	0.33	0.40	0.50	0.60	0.70	0.80	0.90	1.00	1.0	
1700	0.21	0.24	0.28	0.31	0.35	0.42	0.52	0.63	0.73	0.84	0.94	1.05	1.0	
1800	0.22	0.26	0.30	0.33	0.37	0.44	0.56	0.67	0.78	0.89	1.01	1.12	1.0	

The LAOGS outside louver is also available in a round aluminium spinning in the following nominal sizes: 150, 200, 250, 300.

Effective Pressure Area	
Nominal Size	Effective Pressure Area (sq. metres)
150	0.006
200	0.012
250	0.019
300	0.027

Guide Product Weights	
Approximate Weight in Kg.	
Size	OHL-LAOGS
300 x 300	2
500 x 500	4
900 x 900	12
1200 x 1200	20
1500 x 1800	35

Refer to previous page for pressure requirements and example louver selection.



# OHCL, OHL, OHL-D, OHL-DRC, & OHL-LAOGS

## Louver Description Code Examples and Suggested Specifications

<b>OHCL</b>	—	<b>F</b> <b>C</b>	—	<b>102</b> <b>124</b>	—	<b>W x H</b>	—	<b>OPTIONS</b>	—	<b>FINISH</b>
Model - Closable Outside Horizontal Louver		Frame Style (F = Flange, C = Channel)		Blade size & configuration		Opening		24 V AC/DC Motor 230 V AC Motor		Powder Coat Anodised Mill Aluminium

Closable Horizontal Outside Louvers shall be of extruded aluminium construction with black anodised blades with integral flange and extruded vinyl edge seal. Fixed blades incorporate expanded aluminium bird screen. Blade closure is via Gang Linkage bars either manually, or by a factory fitted linear motor. Closable Louvers shall be Series OHCL. All shall be as manufactured by Holyoake.

<b>OHL</b>	—	<b>F</b> <b>C</b>	—	<b>34</b> <b>45</b> <b>102</b> <b>124</b>	—	<b>W x H</b>	—	<b>BM/IS</b>	—	<b>FINISH</b>
Model - Outside Horizontal Louver		Frame Style (F = Flange, C = Channel)		Blade size & configuration		Opening		Bird Mesh or Insect Screen		Powder Coat Anodised Mill Aluminium

Horizontal Outside Louvers shall be of extruded aluminium construction with 100 mm blades fixed at their ends with stainless steel screws into a welded aluminium frame. The bottom louver shall overlap the frame and the structure shall be designed to withstand a wind load of 95 Kg/m<sup>2</sup>. Louvers shall be type OHL - F - 102. All shall be as manufactured by Holyoake. [Example specification shown is for a flanged OHL-F-102].

<b>OHL</b>	—	<b>F</b> <b>C</b>	—	<b>D</b>	—	<b>W x H</b>	—	<b>BM/IS</b>	—	<b>FINISH</b>
Model - Outside Horizontal Louver		Frame Style (F = Flange, C = Channel)		Drainable Blade		Opening		Bird Mesh or Insect Screen		Powder Coat Anodised Mill Aluminium

Drainable Horizontal Outside Louvers shall be of extruded aluminium construction with blades which drain through vertical down pipes to discharge water at the bottom of the louver. Louvers shall be type OHL - D. All shall be as manufactured by Holyoake.

<b>OHL</b>	—	<b>F</b> <b>C</b>	—	<b>DRC</b>	—	<b>W x H</b>	—	<b>SECURITY MESH</b>	—	<b>OPTIONS</b>	—	<b>FINISH</b>
Model - Outside Horizontal Louver		Frame Style (F = Flange, C = Channel)		Drainable Closable Blade		Opening		Gym Mesh		24 V AC/DC Motor 230 V AC Motor		Powder Coat Anodised

Drainable Closable Horizontal Outside Louvers, shall be of extruded aluminium construction, with special overlapping drainable closable blades and complete with extruded aluminium security mesh on the rear. Blade closure is via Linkage bars in a concealed cavity, either manually, or by a suitable factory fitted motor. Drainable Closable Louvers shall be Series OHL - DRC. All shall be as manufactured by Holyoake.

<b>OHL</b>	—	<b>LAOGS</b>	—	<b>W x H</b>	—	<b>BM/IS</b>	—	<b>FINISH</b>
Model - Outside Horizontal Louver		Type		Opening		Bird Mesh or Insect Screen		Powder Coat Anodised Mill Aluminium

OHL - LAOGS Horizontal Outside Louvers shall be constructed from welded aluminium construction. Bird Mesh is fitted to the rear as standard. Louvers shall be type OHL-LAOGS. All shall be as manufactured by Holyoake.

# OVL, OHL-KD, PHL, ST2/4 & LOUVER DOOR

## Louver Description Code Examples and Suggested Specifications

OVL	-	F C	-	99 148	-	W x H	-	BM/IS	-	FINISH
Model - Outside Vertical Louver		Frame Style (F = Flange, C = Channel)		Blade Size and Configuration		Opening		Bird Mesh or Insect Screen		Powder Coat Anodised Mill Aluminium

Vertical Outside Louvers shall be of extruded aluminium construction with blades fixed at ends with stainless steel screws into a mitred and mechanically locked extruded aluminium frame. Intermediate blade stabilizing spacer clips shall be fitted where blade length exceeds 900mm and the structure shall be designed to withstand a wind load of 95kg/m<sup>2</sup>. Louvers shall be type OVL-C-99. All shall be as manufactured by Holyoake. (Example specification shown is for OVL-C-99).

OHL-KD	-	100	-	W x H	-	BM/IS	-	FINISH
Model - Outside Horizontal Louver - Knock Down		Blade Style		Opening		Bird Mesh or Insect Screen		Powder Coat Anodised Mill Aluminium

OHL-KD (Knock Down) Outside Horizontal Louvers shall be manufactured from aluminium extrusion and are supplied in Kit Form for on site assembly, by others. The louver blades shall be sight proof, complete with two water stops and may be provided in a powder coat finish, with Bird Mesh, or Insect Screen. Louvers shall be type OHL - KD - 100. All shall be as manufactured by Holyoake.

PHL	-	102 124	-	W x L x H	-	BM/IS	-	FINISH
Model - Penthouse Louver		Blade Style		Opening x Height		Bird Mesh or Insect Screen		Powder Coat Mill Aluminium

PHL Penthouse Louvers shall be constructed from welded aluminium extrusion with mitred corners. Heavy, extruded aluminium blades and heavy gauge aluminium roof, with bird mesh, or insect screen. Penthouse Louvers shall be Series PHL-102, or PHL-124. All shall be as manufactured by Holyoake.

OHL	-	ST2 ST4	-	W x H	-	FINISH
Model - ST2 (2 Row) ST4 (4 Row) Sound Trap				Opening		Mill Aluminium

OHL-ST Sound Trap attachments shall be constructed of a number of cylindrical sound absorbing elements, all housed in a sheet aluminium surround which matches the selected OHL louver. Sound Traps shall be Series OHL - ST2, or OHL - ST4. All shall be as manufactured by Holyoake.

OHL- LOUVER DOOR	-	F C	-	34 45 102 124 D	-	W x H	-	BM/IS	-	FINISH
Model - Outside Horizontal Louver Door		Frame Style (F = Flange, C = Channel)		Blade Size and Configuration		Opening		Bird Mesh or Insect Screen		Powder Coat Anodised Mill Aluminium

OHL-LOUVER DOORS are robustly constructed with Aluminium box section frames and extruded aluminium blades of the size and configuration required. High quality stainless steel hinges shall be used to support the relevant door loads. A 'High Quality' lock set and handle shall be provided as standard, as well as rubber seals to eliminate door rattle. Louver Doors shall be Series OHL-Louver Doors. All shall be as manufactured by Holyoake.

OHL	-	F C	-	100WT	-	W x H	-	BM/IS	-	FINISH
Model - Two stage weather trap louver		Frame Style (F = Flange, C = Channel)		Blade Size and Configuration		Opening		Bird Mesh or Insect Screen		Powder Coat Anodised Mill Aluminium

Horizontal Outside weather trap louvers shall be of extruded aluminium construction with 100mm front blades fixed at their ends and complete with second stage blades at the rear. The bottom louver shall overlap the frame and the structure shall be designed to withstand a wind load of 95 kg/m<sup>2</sup>. Louvers shall be type OHL-F-100WT. All shall be as manufactured by Holyoake.