

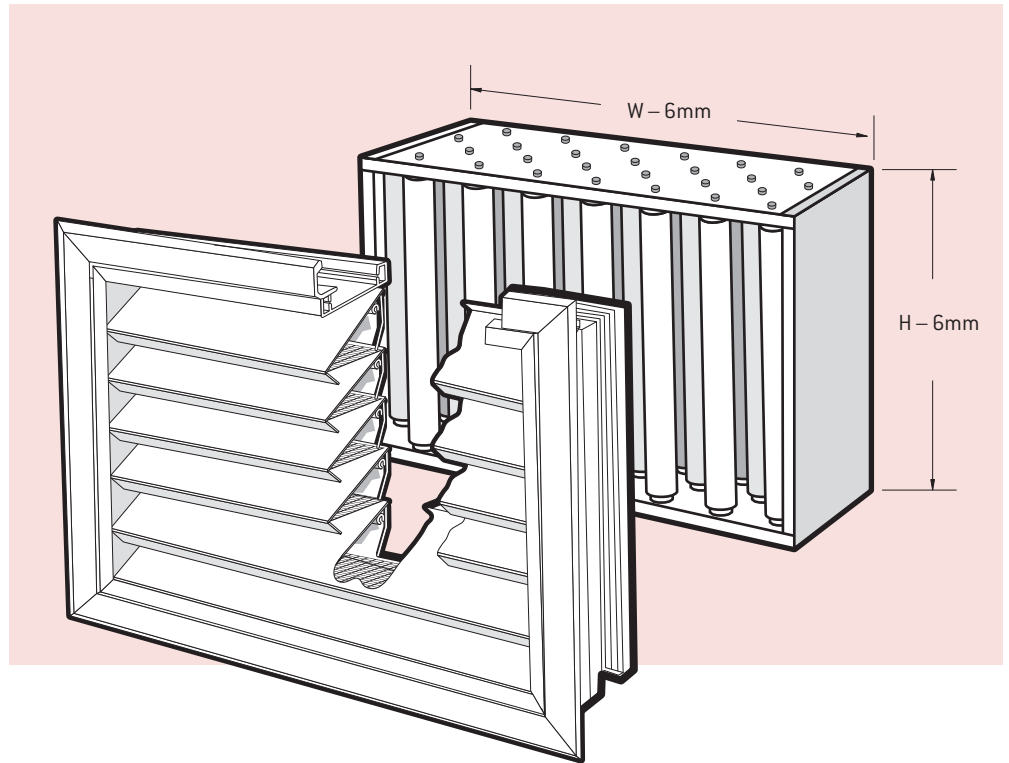
# OHL – Sound Trap Attachment

Models: **OHL-ST2 (2 Row)**  
and **OHL-ST4 (4 Row)**

Outside Louvers



The Holyoake sound trap attachment is a modular assembly designed primarily to be attached to the rear of any Holyoake weather louver, to reduce the sound transmission to and from the environment.



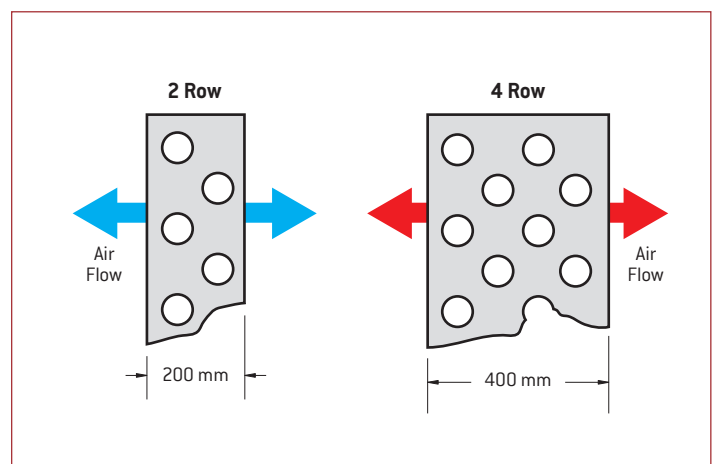
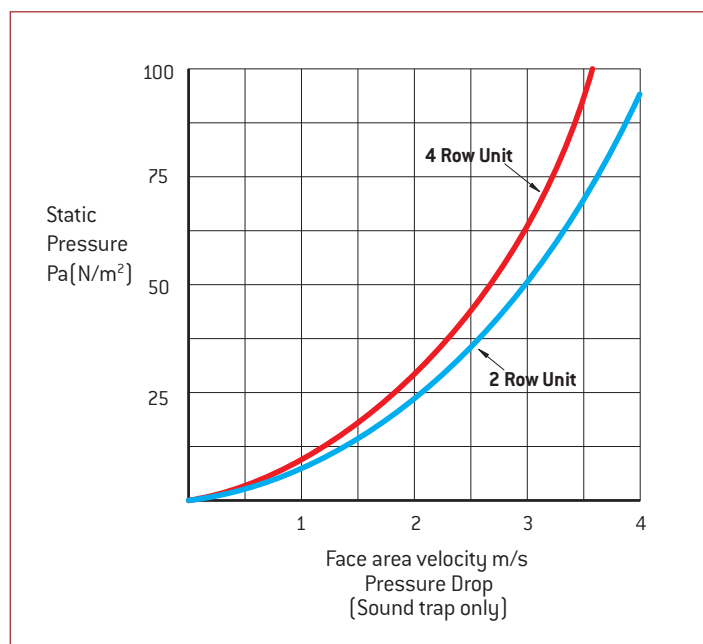
## Description

The unit consists of a number of cylindrical sound absorbing elements, in a staggered arrangement and mounted either vertically or horizontally. These elements are mounted in a sheet aluminium housing which matches the selected louver and can be supplied as either two or four row deep units as required by the desired attenuation level.

**Maximum Single Unit Size:** 2400 x 1000.

Noise Reduction to Free Field (dB)								
Frequency Hz	63	125	250	500	1K	2K	4K	8K
2 Row Unit - ST2	14	15	17	20	24	26	27	27
4 Row Unit - ST4	16	17	19	24	35	40	41	39
Insertion Loss (dB)								
2 Row Unit - ST2	0	1	3	5	6	13	8	11
4 Row Unit - ST4	0	1	6	9	12	19	18	15

Guide Product Weights	
Description	Approximate Weight in Kg.
OHL-ST2	Dependant on Style & Construction.
OHL-ST4	
Contact your local Holyoake Branch	



### Note

Data is for sound trap only, excluding louver.

# OHCL, OHL, OHL-D, OHL-DRC, & OHL-LAOGS

## Louver Description Code Examples and Suggested Specifications

<b>OHCL</b>	—	<b>F</b> <b>C</b>	—	<b>102</b> <b>124</b>	—	<b>W x H</b>	—	<b>OPTIONS</b>	—	<b>FINISH</b>
Model - Closable Outside Horizontal Louver		Frame Style (F = Flange, C = Channel)		Blade size & configuration		Opening		24 V AC/DC Motor 230 V AC Motor		Powder Coat Anodised Mill Aluminium

Closable Horizontal Outside Louvers shall be of extruded aluminium construction with black anodised blades with integral flange and extruded vinyl edge seal. Fixed blades incorporate expanded aluminium bird screen. Blade closure is via Gang Linkage bars either manually, or by a factory fitted linear motor. Closable Louvers shall be Series OHCL. All shall be as manufactured by Holyoake.

<b>OHL</b>	—	<b>F</b> <b>C</b>	—	<b>34</b> <b>45</b> <b>102</b> <b>124</b>	—	<b>W x H</b>	—	<b>BM/IS</b>	—	<b>FINISH</b>
Model - Outside Horizontal Louver		Frame Style (F = Flange, C = Channel)		Blade size & configuration		Opening		Bird Mesh or Insect Screen		Powder Coat Anodised Mill Aluminium

Horizontal Outside Louvers shall be of extruded aluminium construction with 100 mm blades fixed at their ends with stainless steel screws into a welded aluminium frame. The bottom louver shall overlap the frame and the structure shall be designed to withstand a wind load of 95 Kg/m<sup>2</sup>. Louvers shall be type OHL - F - 102. All shall be as manufactured by Holyoake. [Example specification shown is for a flanged OHL-F-102].

<b>OHL</b>	—	<b>F</b> <b>C</b>	—	<b>D</b>	—	<b>W x H</b>	—	<b>BM/IS</b>	—	<b>FINISH</b>
Model - Outside Horizontal Louver		Frame Style (F = Flange, C = Channel)		Drainable Blade		Opening		Bird Mesh or Insect Screen		Powder Coat Anodised Mill Aluminium

Drainable Horizontal Outside Louvers shall be of extruded aluminium construction with blades which drain through vertical down pipes to discharge water at the bottom of the louver. Louvers shall be type OHL - D. All shall be as manufactured by Holyoake.

<b>OHL</b>	—	<b>F</b> <b>C</b>	—	<b>DRC</b>	—	<b>W x H</b>	—	<b>SECURITY MESH</b>	—	<b>OPTIONS</b>	—	<b>FINISH</b>
Model - Outside Horizontal Louver		Frame Style (F = Flange, C = Channel)		Drainable Closable Blade		Opening		Gym Mesh		24 V AC/DC Motor 230 V AC Motor		Powder Coat Anodised

Drainable Closable Horizontal Outside Louvers, shall be of extruded aluminium construction, with special overlapping drainable closable blades and complete with extruded aluminium security mesh on the rear. Blade closure is via Linkage bars in a concealed cavity, either manually, or by a suitable factory fitted motor. Drainable Closable Louvers shall be Series OHL - DRC. All shall be as manufactured by Holyoake.

<b>OHL</b>	—	<b>LAOGS</b>	—	<b>W x H</b>	—	<b>BM/IS</b>	—	<b>FINISH</b>
Model - Outside Horizontal Louver		Type		Opening		Bird Mesh or Insect Screen		Powder Coat Anodised Mill Aluminium

OHL - LAOGS Horizontal Outside Louvers shall be constructed from welded aluminium construction. Bird Mesh is fitted to the rear as standard. Louvers shall be type OHL-LAOGS. All shall be as manufactured by Holyoake.

# OVL, OHL-KD, PHL, ST2/4 & LOUVER DOOR

## Louver Description Code Examples and Suggested Specifications

<p><b>OVL</b> – <b>[ F ]</b> – <b>[ 99 ]</b> – <b>W x H</b> – <b>[ BM/IS ]</b> – <b>FINISH</b></p> <p style="text-align: center;"> <span style="border: 1px solid black; padding: 2px;">C</span> <span style="border: 1px solid black; padding: 2px;">148</span> </p>	<p>Model - Outside Vertical Louver</p> <p>Frame Style (F = Flange, C = Channel)</p> <p>Blade Size and Configuration</p> <p>Opening</p> <p>Bird Mesh or Insect Screen</p> <p>Powder Coat Anodised Mill Aluminium</p>	<p>Vertical Outside Louvers shall be of extruded aluminium construction with blades fixed at ends with stainless steel screws into a mitred and mechanically locked extruded aluminium frame. Intermediate blade stabilizing spacer clips shall be fitted where blade length exceeds 900mm and the structure shall be designed to withstand a wind load of 95kg/m<sup>2</sup>.</p> <p>Louvers shall be type OVL-C-99.</p> <p>All shall be as manufactured by Holyoake.</p> <p>(Example specification shown is for OVL-C-99).</p>
---	---	--

<p><b>OHL-KD</b> – <b>100</b> – <b>W x H</b> – <b>[ BM/IS ]</b> – <b>FINISH</b></p>	<p>Model - Outside Horizontal Louver - Knock Down</p> <p>Blade Style</p> <p>Opening</p> <p>Bird Mesh or Insect Screen</p> <p>Powder Coat Anodised Mill Aluminium</p>	<p>OHL-KD (Knock Down) Outside Horizontal Louvers shall be manufactured from aluminium extrusion and are supplied in Kit Form for on site assembly, by others. The louver blades shall be sight proof, complete with two water stops and may be provided in a powder coat finish, with Bird Mesh, or Insect Screen.</p> <p>Louvers shall be type OHL - KD - 100.</p> <p>All shall be as manufactured by Holyoake.</p>
---	--	---

<p><b>PHL</b> – <b>[ 102 ]</b> – <b>W x L x H</b> – <b>[ BM/IS ]</b> – <b>FINISH</b></p> <p style="text-align: center;"> <span style="border: 1px solid black; padding: 2px;">124</span> </p>	<p>Model - Penthouse Louver</p> <p>Blade Style</p> <p>Opening x Height</p> <p>Bird Mesh or Insect Screen</p> <p>Powder Coat Mill Aluminium</p>	<p>PHL Penthouse Louvers shall be constructed from welded aluminium extrusion with mitred corners. Heavy, extruded aluminium blades and heavy gauge aluminium roof, with bird mesh, or insect screen.</p> <p>Penthouse Louvers shall be Series PHL-102, or PHL-124.</p> <p>All shall be as manufactured by Holyoake.</p>
---	--	--

<p><b>[ OHL – ST2 ]</b> – <b>W x H</b> – <b>FINISH</b></p> <p style="text-align: center;"> <span style="border: 1px solid black; padding: 2px;">ST4</span> </p>	<p>Model - ST2 (2 Row) ST4 (4 Row) Sound Trap</p> <p>Opening</p> <p>Mill Aluminium</p>	<p>OHL-ST Sound Trap attachments shall be constructed of a number of cylindrical sound absorbing elements, all housed in a sheet aluminium surround which matches the selected OHL louver.</p> <p>Sound Traps shall be Series OHL - ST2, or OHL - ST4.</p> <p>All shall be as manufactured by Holyoake.</p>
---	--	---

<p><b>OHL-LOUVER DOOR</b> – <b>[ F ]</b> – <b>[ 34 ]</b> – <b>W x H</b> – <b>[ BM/IS ]</b> – <b>FINISH</b></p> <p style="text-align: center;"> <span style="border: 1px solid black; padding: 2px;">C</span> <span style="border: 1px solid black; padding: 2px;">45</span> <span style="border: 1px solid black; padding: 2px;">102</span> <span style="border: 1px solid black; padding: 2px;">124</span> <span style="border: 1px solid black; padding: 2px;">D</span> </p>	<p>Model - Outside Horizontal Louver Door</p> <p>Frame Style (F = Flange, C = Channel)</p> <p>Blade Size and Configuration</p> <p>Opening</p> <p>Bird Mesh or Insect Screen</p> <p>Powder Coat Anodised Mill Aluminium</p>	<p>OHL-LOUVER DOORS are robustly constructed with Aluminium box section frames and extruded aluminium blades of the size and configuration required. High quality stainless steel hinges shall be used to support the relevant door loads. A 'High Quality' lock set and handle shall be provided as standard, as well as rubber seals to eliminate door rattle.</p> <p>Louver Doors shall be Series OHL-Louver Doors.</p> <p>All shall be as manufactured by Holyoake.</p>
--	--	---

<p><b>OHL</b> – <b>[ F ]</b> – <b>100WT</b> – <b>W x H</b> – <b>[ BM/IS ]</b> – <b>FINISH</b></p> <p style="text-align: center;"> <span style="border: 1px solid black; padding: 2px;">C</span> </p>	<p>Model - Two stage weather trap louver</p> <p>Frame Style (F = Flange, C = Channel)</p> <p>Blade Size and Configuration</p> <p>Opening</p> <p>Bird Mesh or Insect Screen</p> <p>Powder Coat Anodised Mill Aluminium</p>	<p>Horizontal Outside weather trap louvers shall be of extruded aluminium construction with 100mm front blades fixed at their ends and complete with second stage blades at the rear. The bottom louver shall overlap the frame and the structure shall be designed to withstand a wind load of 95 kg/m<sup>2</sup>.</p> <p>Louvers shall be type OHL-F-100WT.</p> <p>All shall be as manufactured by Holyoake.</p>
--	---	---