

# PMF – Plaster Mounting Frame

The Holyoake Flangeless Grille Series - PMF, has been developed to keep pace with contemporary interior designs.

The Series PMF is versatile and can be used with all LD Series Linear Bar Grilles.

Designed for sidewall applications\* the Grille Series – PMF offers a new approach to interior air supply/return.

For supply and return applications, the Holyoake Series PMF Flangeless Frame Grilles are the least intrusive sidewall supply or return air product on the market.

## Construction

Constructed from extruded aluminium to precise Holyoake quality standards, the Holyoake PMF Plaster Mounting Frame makes flangeless grille installation easy and provides a superior finish.

## Installation

The PMF plaster mounting frame negates the need for any costly additional aperture framing or nogging and is fitted into the wall or bulkhead cavity prior to the wall lining being applied.

The PMF mounting frame can be fitted using rivets, nails, or adhesive, although self tapping or Tek screws are the most efficient method.

A series of grooves in the mounting frame are provided to prevent screw run-off.

Once the wall lining is in place, the applicator can stop and finish the wall opening up to the PMF frame edge and prepare the surface for paint finishes.

The Series - PMF Flangeless Grille need only be fitted to the complete and finished wall by pushing the grille into the mounting frame firmly, the retaining clip will grip the serrations in the frame and pull the grille up neatly to the wall surface.

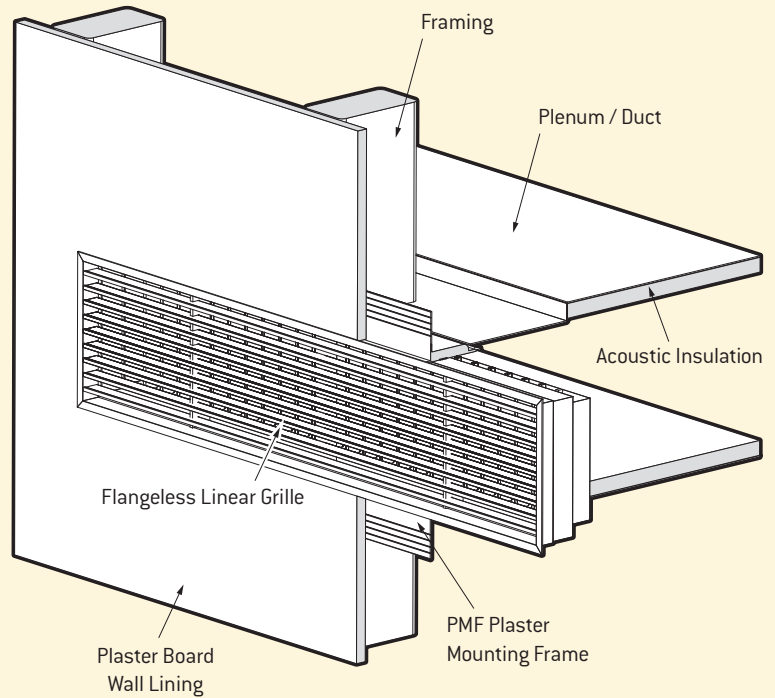
\* Also suitable for ceiling or floor mounting, with appropriate construction.

## Notes

1. For ceiling mounting seismic restraints will be required, but not supplied.
2. For floor applications use LDHF versions with double mullions.

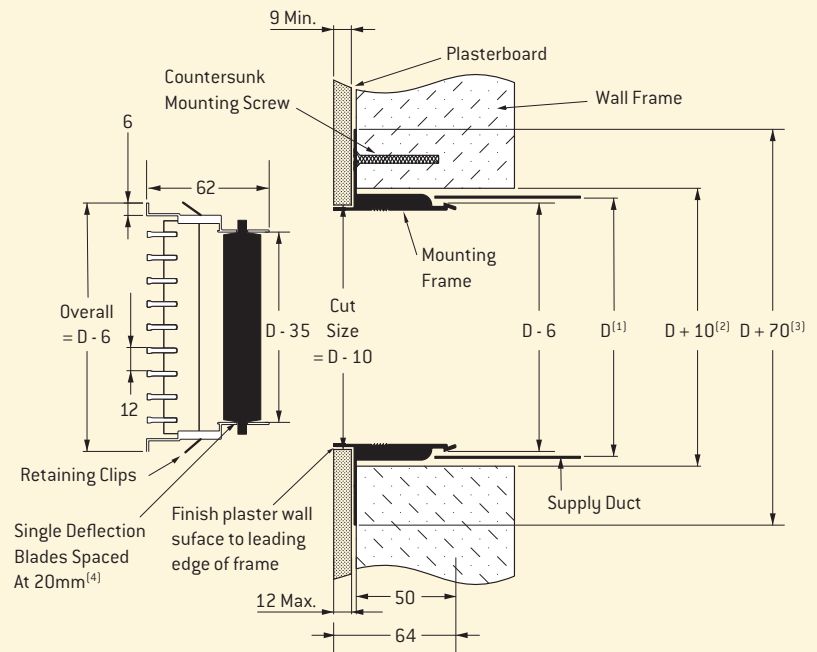
Guide Product Weights	
Model	Approximate Weight in Kg per metre
PMF Frame	1.134

## Flangeless Grille Series



- Attractive Appearance
- Designed for Side Wall Applications\*
- Versatile
- Multiple LD Core Types

## Dimensions - PMF LDH-1200SD Illustrated



## Notes

1. Nominal Duct Size (D) [75mm min.]
2. Minimum Clear Opening (= D + 10)
3. Overall Mounting Frame (= D + 70)
4. Optional - please specify "SD" versions