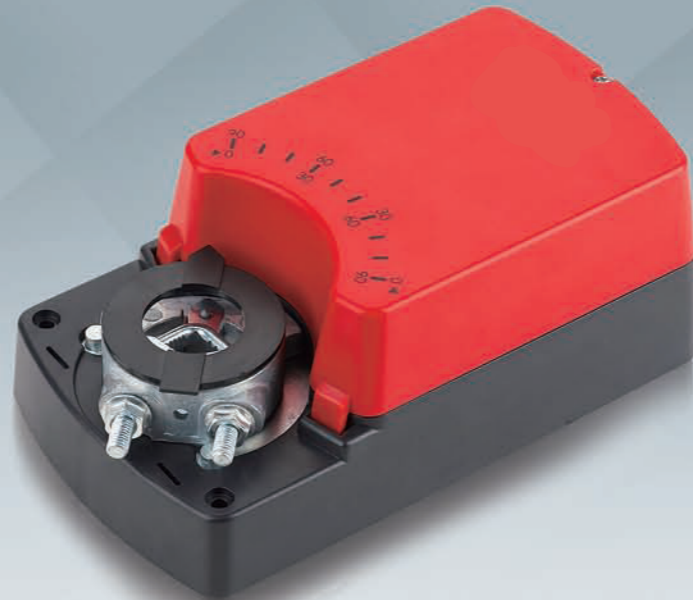


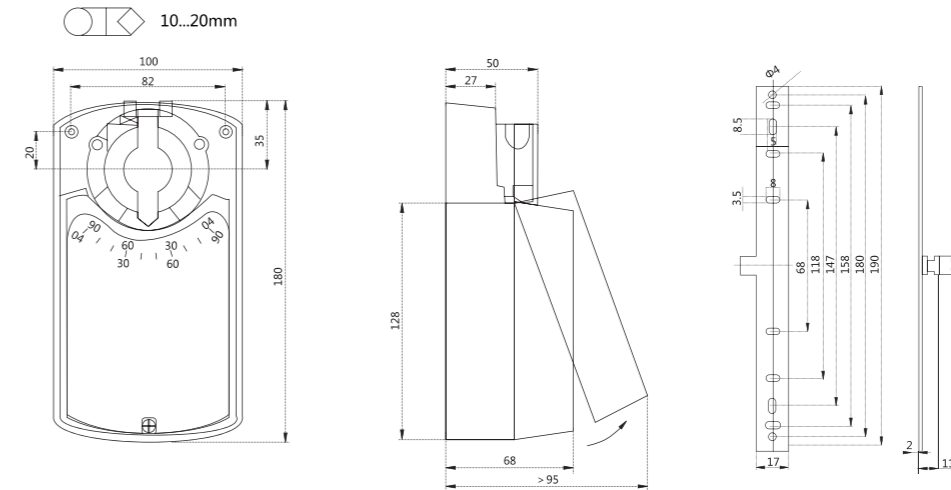
General Damper Actuator
8Nm/16Nm/24Nm
ON/OFF, 2/3-Point

LFT8.M230.D/DS
LFT16.M230.D/DS
LFT24.M230.D/DS

For operation of air control dampers in HVAC systems.
 Torque: 8Nm/16Nm/24Nm
 Nominal voltage: AC100...240V
 Control: ON/OFF, 2/3-Point
 -DS type include 2 auxiliary switch.



Actuator Dimensions(mm)



Model Selection Table

Torque	Running Time	Power Supply	Auxiliary Switch	Model/Type
8Nm	45-55S	100-240VAC	None	LFT8.M230.D
8Nm	45-55S	100-240VAC	2-SPDT	LFT8.M230.DS
16Nm	80-100S	100-240VAC	None	LFT16.M230.D
16Nm	80-100S	100-240VAC	2-SPDT	LFT16.M230.DS
24Nm	140-160S	100-240VAC	None	LFT24.M230.D
24Nm	140-160S	100-240VAC	2-SPDT	LFT24.M230.DS

Technical specification

		LFT8.M230.D/DS	LFT16.M230.D/DS	LFT24.M230.D/DS
Electrical data	Nominal voltage	AC100...240V 50/60Hz		
	Nominal voltage range	AC85...265V		
	Power consumption	4.5W@Nominal torque/0.7W@holding		
	Wire sizing	0.5mm ²		
Function data	Terminal specification	Max 2.0mm ²		
	Torque	8Nm	16Nm	24Nm
	Damper size	1.5m ²	3m ²	4.5m ²
	Direction of rotation	Manual regulation		
	Manual override	Gearing latch disengaged by pushbutton, self-resetting		
	Angle of rotation	Max 95°		
	Running time	55S(95°)	100S(95°)	160S(95°)
Working conditions	Sound power level	45dB		
	Position indication	Mechanical		
	Protection class	II (totally insulated)		
	Protection level	IP44		
	Ambient temperature	-20...+50°C/IEC 721-3-3		
Dimensions	Inventory temperature	-30...+80°C/IEC 721-3-2		
	Humidity test	95%RH, non condensing(EN60730-1)		
	Dimensions (L×W×H)	See "Dimensions"		
Weight	Shaft length	> 50mm		
	Shaft diameter	10...20mm □ 10×10 □ 16×16mm		
	Weight	< 1.3kg		

Wiring Diagram

