

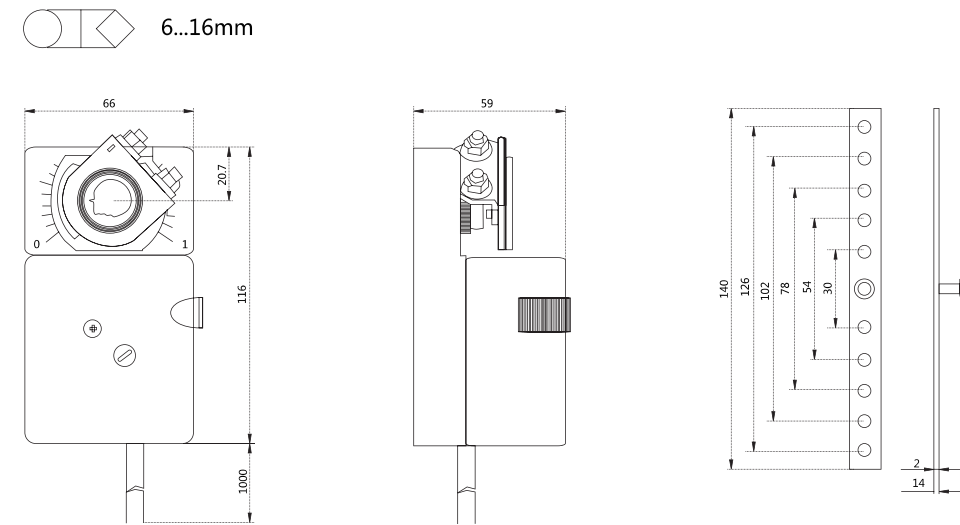
## General Damper Actuator 2Nm Modulating

**LFT2.M24.A/AS**  
**LFT2.M230.A/AS**

For operation of air control dampers in HVAC systems.  
Torque: 2Nm  
Nominal voltage: AC/DC 24V, AC100...240V  
Control: 0(2)...10VDC/0(4)...20mA  
Feedback: 0(2)...10VDC/0(4)...20mA  
-AS type include 1 auxiliary switch.



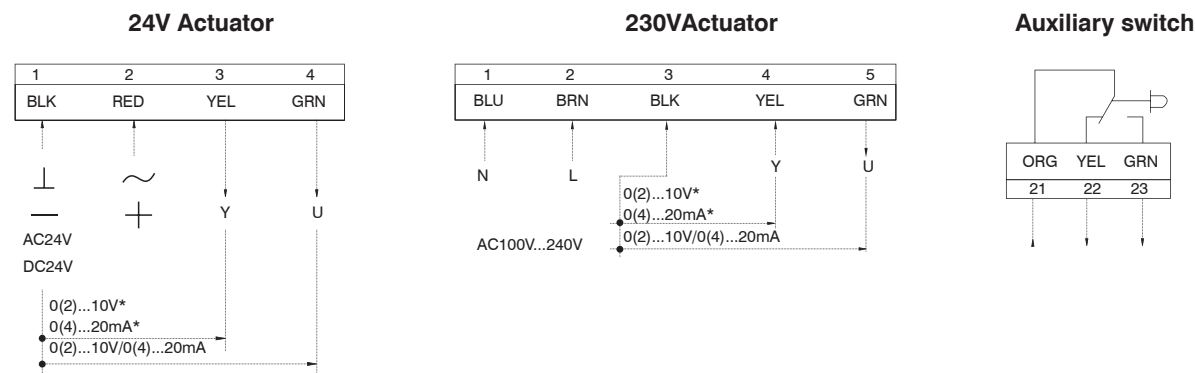
## Actuator Dimensions(mm)



## Model Selection Table

Torque	Running Time	Power Supply	Auxiliary Switch	Model/Type
2Nm	20-30S	24VAC/DC	None	LFT2.M24.A
2Nm	20-30S	24VAC/DC	1-SPDT	LFT2.M24.AS
2Nm	20-30S	100-240VAC	None	LFT2.M230.A
2Nm	20-30S	100-240VAC	1-SPDT	LFT2.M230.AS

## Wiring Diagram



\*According to customer order requirements set input signal

## Technical specification

		LFT2.M24.A/AS	LFT2.M230.A/AS
Electrical data	Nominal voltage	AC24V 50/60Hz DC24V	AC100...240V 50/60Hz
	Nominal voltage range	AC/DC 19.2...28.8V	AC85...265V
	Power consumption	3W@Nominal torque/0.5W@holding	3W@Nominal torque/0.7W@holding
	Wire sizing	0.5mm <sup>2</sup>	
Function data	Torque	2Nm	
	Damper size	0.5m <sup>2</sup>	
	Direction of rotation	Manual regulation	
	Manual override	Gearing latch disengaged by pushbutton, self-resetting	
	Angle of rotation	Max 95°	
	Running time	30S(95°)	
	Sound power level	45dB	
Working conditions	Position indication	Mechanical	
	Protection class	III (safety low voltage)	II (totally insulated)
	Protection level	IP54	
	Ambient temperature	-20...+50°C/IEC 721-3-3	
	Inventory temperature	-30...+80°C/IEC 721-3-2	
	Humidity test	95%RH, non condensing(EN60730-1)	
Dimensions	Dimensions (L×W×H)	See "Dimensions"	
	Shaft length	> 50mm	
	Shaft diameter	6...16mm ○ 5×5...12×12mm □	
	Weight	< 0.5kg	