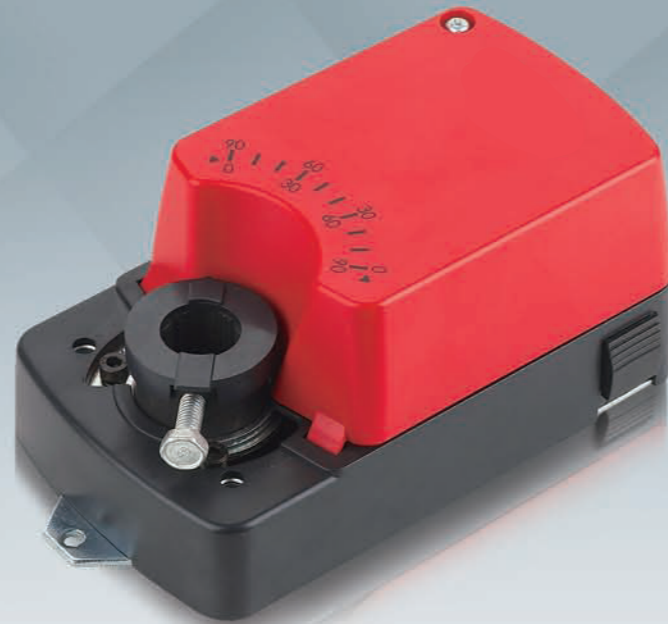


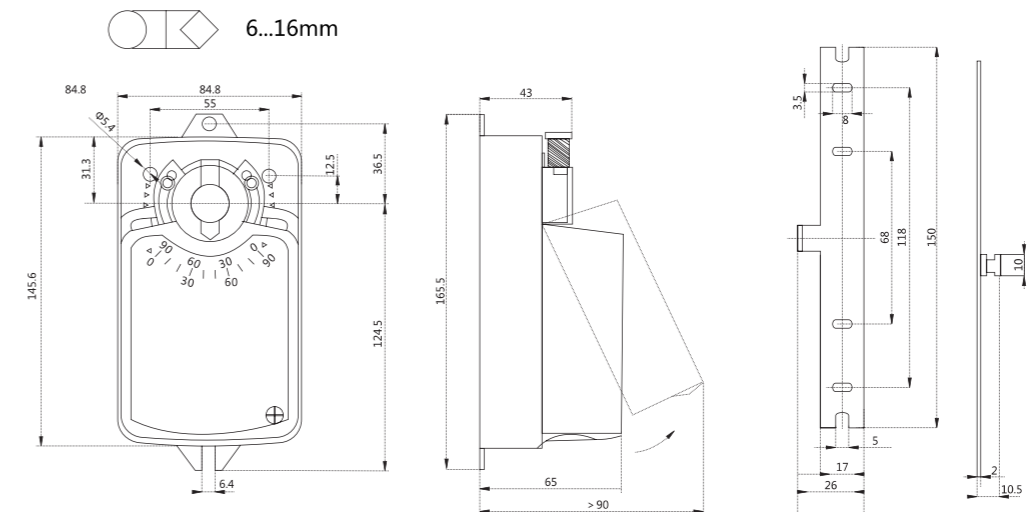
General Damper Actuator 4Nm/6Nm Modulating

LFT4.M24.A/AS
LFT6.M24.A/AS
LFT4.M230.A/AS
LFT6.M230.A/AS

For operation of air control dampers in HVAC systems.
Torque: 4Nm/6Nm
Nominal voltage: AC/DC 24V, AC100...240V
Control: 0(2)...10VDC/0(4)...20mA
Feedback: 0(2)...10VDC/0(4)...20mA
-AS type include 2 auxiliary switch.



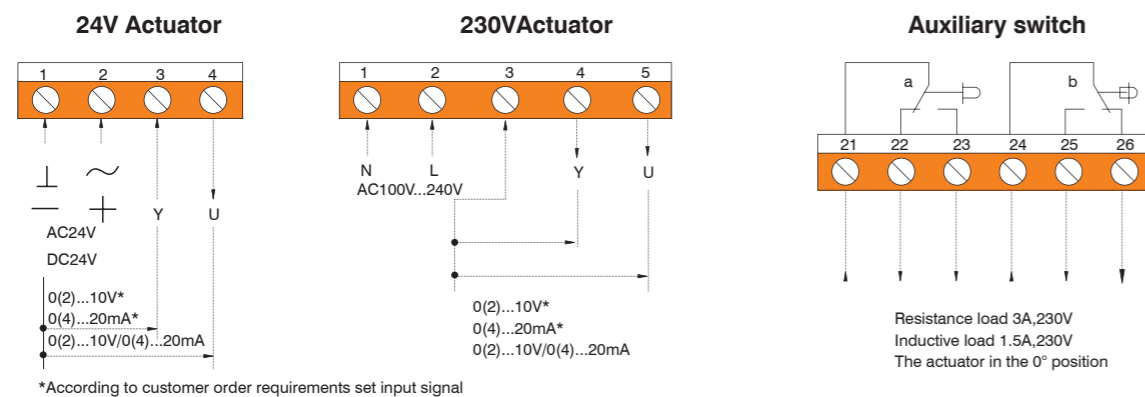
Actuator Dimensions(mm)



Model Selection Table

Torque	Running Time	Power Supply	Auxiliary Switch	Model/Type
4Nm	45-55S	24VAC/DC	None	LFT4.M24.A
4Nm	45-55S	24VAC/DC	2-SPDT	LFT4.M24.AS
4Nm	45-55S	100-240VAC	None	LFT4.M230.A
4Nm	45-55S	100-240VAC	2-SPDT	LFT4.M230.AS
6Nm	70-80S	24VAC/DC	None	LFT6.M24.A
6Nm	70-80S	24VAC/DC	2-SPDT	LFT6.M24.AS
6Nm	70-80S	100-240VAC	None	LFT6.M230.A
6Nm	70-80S	100-240VAC	2-SPDT	LFT6.M230.AS

Wiring Diagram



Technical specification

	LFT4.M24.A/AS LFT6.M24.A/AS	LFT4.M230.A/AS LFT6.M230.A/AS	
Electrical data	Nominal voltage	AC24V 50/60Hz DC24V	AC100...240V 50/60Hz
	Nominal voltage range	AC/DC 19.2...28.8V	AC85...265V
	Power consumption	3W@Nominal torque/0.5W@holding	3W@Nominal torque/0.7W@holding
	Wire sizing	0.5mm ²	
Function data	Terminal specification	Max 2.0mm ²	
	Torque	4Nm/6Nm	
	Damper size	0.8m ² /1.2m ²	
	Direction of rotation	Manual regulation	
	Manual override	Gearing latch disengaged by pushbutton, self-resetting	
	Angle of rotation	Max 95°	
	Running time	50S(95°)/70S(95°)	
Working conditions	Sound power level	45dB	
	Position indication	Mechanical	
	Protection class	III (safety low voltage)	II (totally insulated)
	Protection level	IP44	
	Ambient temperature	-20...+50°C/IEC 721-3-3	
	Inventory temperature	-30...+80°C/IEC 721-3-2	
	Humidity test	95%RH, non condensing(EN60730-1)	
Dimensions	Dimensions (L×W×H)	See "Dimensions"	
	Shaft length	> 50mm	
	Shaft diameter	6...16mm ○ 8×8...12×12mm □	
	Weight	< 0.75kg	