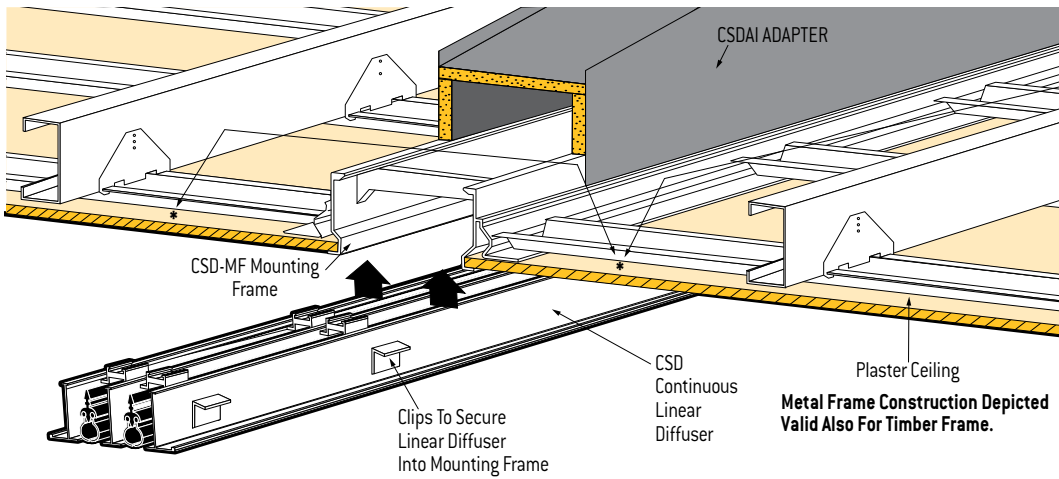


# CSD Mounting Frame – CSD-MF



**\*Note: Do NOT fix plaster board to ceiling battens closer than 300mm of mounting frame.**

For more detailed instructions please contact your local Holyoke branch.

The CSD Mounting Frame (CSD-MF) is a base frame which is designed to be built into a solid ceiling. Once the frame has been installed the CSD is then inserted into this mounting frame to complete the installation.

The CSD-MF offers a vastly improved alternative to the standard method of CSD installation. This system will not only save time for all of the contractors involved (HVAC, ceiling erectors, plasterers, etc.) but will also give a much higher standard of finish than was typically able to be achieved.

Normally ceiling slot diffusers are one of the most difficult supply diffusers to install into a solid ceiling. During the process of installation it is not uncommon for both the plasterer and the painter to have to carry out remedial work to ensure a reasonable standard of finish is achieved. All of this work is obviously detrimental as it takes time and often damages the linear diffuser and contributes to the poor overall appearance of the ceiling diffuser.

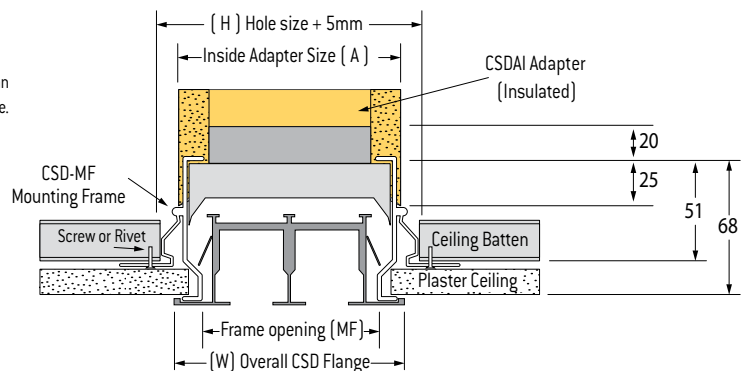
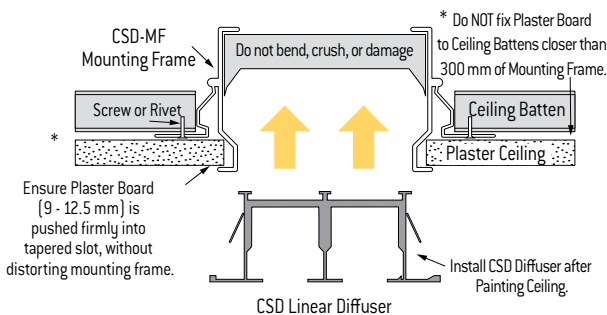
The CSD-MF is installed as part of the solid ceiling grid system. This allows the supply air boots to be installed when there is clear access to the ceiling space and there is no danger of damaging the high quality finish of the CSD. When it is time to line the ceiling, the ceiling erector has a slot to slide the gib or plaster sheet into. Once the plasterer has “stopped” the ceiling sheets

the painter is free to paint the entire ceiling without having to be concerned with masking the CSD which is not yet in place. When everything has been finished to the required standard the CSD itself is just simply pushed up into place to completely conceal the mounting frame.

The CSD-MF has many features designed into it to enable a faultless CSD installation. The mounting frame is equipped with a flexible edge which is fastened to the adjacent steel or wooden ceiling battens, whichever is used. This flexible edge allows for any discrepancies in the ceiling itself.

If the flexible edge does not take up any discrepancies in the ceiling the solid main section of the frame remains rigid to provide an accurate slot for CSD. The frame is also designed to accept the gib or plaster sheet accurately, however if there were discrepancies the plasterer can plaster out those discrepancies.

With all these features the use of the CSD-MF will not only save time in installing the CSD but will also result in a much higher standard of finish for the installation.



**CSD AND MF DIMENSIONS**

No. of Slots	CSD-13				CSD-19				CSD-25			
	Diffuser Flange	Adapter Size	Ceiling Opening	Frame Opening	Diffuser Flange	Adapter Size	Ceiling Opening	Frame Opening	Diffuser Flange	Adapter Size	Ceiling Opening	Frame Opening
	W	A	H	MF	W	A	H	MF	W	A	H	MF
1	76	70	100	47	82	77	107	54	88	83	113	60
2	109	102	132	79	120	115	145	92	132	127	157	104
3	141	133	163	110	158	153	183	130	177	172	202	149
4	174	165	195	143	196	191	221	168	222	216	246	191
5	206	197	227	174	234	229	259	206	264	260	290	237
6	238	229	259	206	271	267	297	244	308	305	335	282
7	271	260	290	237	310	305	335	282	352	349	379	326
8	304	292	322	269	348	343	373	320	396	394	424	371

Note: Seismic restraints required but not supplied.