

CSD-13 – Performance Data

Model: **CSD-13/CSDE-13**

Plenum Supply

SLOTS	Total Press.	H	1	5	11	19	30	43	56	74
		V	1	3	8	13	20	29	39	50
1	m ³ /s/m		0.008	0.016	0.023	0.031	0.039	0.047	0.054	0.062
	Projection, m	H	0.3-0.6	0.3-2.7	0.6-3.4	1.2-4.0	2.1-4.3	2.7-4.6	2.7-4.9	3.1-5.6
		V	0.6	1.8	2.7	3.4	3.7	4.3	4.6	4.9
	NC		-	-	-	17	23	29	33	38
2	m ³ /s/m		0.016	0.031	0.047	0.062	0.078	0.093	0.109	0.124
	Projection, m	H	0.3-1.2	0.6-3.7	1.5-4.6	2.4-5.2	3.1-5.8	3.7-6.4	4.0-7.0	4.3-7.3
		V	1.2	2.4	4.0	4.9	5.2	5.8	6.1	6.7
	NC		-	-	-	22	28	34	38	43
3	m ³ /s/m		0.023	0.047	0.070	0.093	0.116	0.140	0.163	0.186
	Projection, m	H	0.3-2.1	0.9-4.6	2.1-5.6	3.1-6.4	4.0-7.0	4.6-7.7	4.9-8.2	5.2-8.8
		V	1.5	3.1	4.6	5.8	6.4	7.0	7.7	8.2
	NC		-	-	16	25	31	37	41	46
4	m ³ /s/m		0.031	0.062	0.093	0.124	0.155	0.186	0.217	0.248
	Projection, m	H	0.3-2.7	1.2-5.2	2.7-6.4	3.7-7.3	4.6-8.2	5.2-8.8	5.8-9.8	6.1-10.4
		V	2.1	3.7	5.6	6.7	7.7	8.2	8.8	9.4
	NC		-	-	18	27	33	39	43	48
5	m ³ /s/m		0.039	0.076	0.116	0.155	0.194	0.233	0.271	0.310
	Projection, m	H	0.3-3.1	1.8-5.8	3.1-7.0	4.0-8.2	5.2-9.2	6.1-10.1	6.4-10.7	6.9-11.6
		V	2.1	4.3	6.1	7.7	8.5	9.2	9.8	10.7
	NC		-	-	19	28	34	40	44	49
6	m ³ /s/m		0.047	0.093	0.140	0.186	0.233	0.279	0.326	0.372
	Projection, m	H	0.6-3.4	2.1-6.4	3.4-7.9	4.6-8.8	5.6-10.1	6.4-11.0	7.0-11.9	7.3-12.8
		V	2.1	4.9	6.7	8.2	9.2	10.1	10.7	11.6
	NC		-	-	20	29	35	41	45	50
7	m ³ /s/m		0.054	0.109	0.163	0.217	0.271	0.326	0.380	0.434
	Projection, m	H	0.9-4.9	2.4-7.0	3.7-8.5	4.9-9.8	6.1-11.0	7.0-11.9	7.6-12.8	7.9-13.7
		V	2.4	4.9	7.3	8.8	9.8	10.7	11.6	12.5
	NC		-	-	21	30	36	42	46	51
8	m ³ /s/m		0.062	0.124	0.186	0.248	0.310	0.372	0.434	0.496
	Projection, m	H	0.9-4.0	2.4-7.3	4.0-8.8	5.2-10.4	6.7-11.6	7.3-12.8	7.9-13.7	8.5-14.6
		V	2.4	5.2	7.9	9.4	10.4	11.6	12.5	13.1
	NC		-	10	22	31	37	43	47	52

Ceiling Slot Diffusers

Model: **CSDR-13/CSDR-13**

Plenum Return

SLOTS	Neg. S.P.	3	7	12	18	26	45	69	104
1	m ³ /s/m	0.016	0.023	0.031	0.039	0.047	0.062	0.078	0.093
	NC	-	-	-	20	25	33	39	44
2	m ³ /s/m	0.031	0.047	0.062	0.078	0.093	0.124	0.155	0.186
	NC	-	-	17	23	28	36	42	47
3	m ³ /s/m	0.047	0.070	0.093	0.116	0.140	0.186	0.233	0.279
	NC	-	-	19	25	30	38	44	49
4	m ³ /s/m	0.062	0.093	0.124	0.155	0.186	0.248	0.310	0.372
	NC	-	-	20	26	31	39	45	50
5	m ³ /s/m	0.078	0.116	0.155	0.194	0.233	0.310	0.388	0.465
	NC	-	-	21	27	32	40	46	51
6	m ³ /s/m	0.093	0.140	0.186	0.233	0.279	0.372	0.465	0.558
	NC	-	-	22	28	33	41	47	52
7	m ³ /s/m	0.109	0.163	0.217	0.271	0.326	0.434	0.543	0.651
	NC	-	-	23	29	34	42	48	53
8	m ³ /s/m	0.124	0.186	0.248	0.310	0.372	0.496	0.620	0.744
	NC	-	-	23	29	34	42	48	53

Model: **CSD-13/CSDE-13** with **CSDA** or **CSDA-I** Supply Adapters

1 Slot 13mm

Capacity m ³ /s			0.028	0.038	0.047	0.057	0.066	0.076	0.085	0.094	0.104
Projection, m		H	0.9-2.7	1.2-3.4	1.5-3.7	1.8-4.0	2.4-4.3	2.7-4.6	2.7-4.9	3.1-5.2	3.1-5.6
		V	0.6-2.1	0.9-2.4	1.2-2.7	1.5-3.1	1.5-3.4	1.8-3.4	2.1-3.7	2.1-4.0	2.4-4.3
Nom. Length	Spread m	H	1.2-4.0	1.8-4.9	2.1-5.6	2.7-5.8	3.7-6.4	4.0-6.7	4.0-7.3	4.6-7.6	4.6-8.2
		V	0.9-2.7	1.2-3.1	1.5-3.7	1.8-4.0	1.8-4.3	2.4-4.3	2.7-4.9	2.7-5.2	3.1-5.6
0.9m	TP		32	57	88	129	172				
	NC		25	34	40	46	51				
1.2m	TP		18	31	47	70	93	122	153		
	NC		-	24	30	36	41	45	48		
1.5m	TP		11	18	28	42	56	71	92	112	137
	NC		-	16	22	28	33	37	40	43	46

2 Slot 13mm

Capacity m ³ /s			0.047	0.061	0.076	0.090	0.104	0.118	0.132	0.146	0.161
Projection, m		H	1.2-3.4	1.5-3.7	1.8-4.3	2.1-4.6	2.4-4.9	2.7-5.2	3.1-5.6	3.4-5.8	3.4-6.1
		V	0.6-1.5	0.6-1.8	0.9-2.1	0.9-2.1	1.2-2.4	1.2-2.4	1.5-2.7	1.5-2.7	1.8-3.1
Nom. Length	Spread m	H	1.8-4.9	2.1-5.6	2.7-6.4	3.1-6.7	3.7-7.3	4.0-7.6	4.6-8.2	4.9-8.5	4.9-9.2
		V	0.9-1.8	0.9-2.4	1.2-2.7	1.2-2.7	1.5-3.1	1.5-3.1	1.8-3.7	1.8-3.7	2.4-4.0
0.9m	TP		21	36	53	75	102	133			
	NC		20	28	34	40	44	48			
1.2m	TP		11	20	29	40	53	70	92	108	128
	NC		-	19	25	31	35	39	43	46	47
1.5m	TP		8	13	19	27	35	46	58	69	83
	NC		-	-	18	24	28	32	36	39	41

3 Slot 13mm

Capacity m ³ /s			0.061	0.076	0.090	0.104	0.118	0.132	0.146	0.161	0.175
Projection, m		H	1.2-3.7	1.5-3.7	1.5-4.3	1.8-4.6	2.1-4.9	2.4-5.2	2.7-5.6	3.1-5.6	3.1-5.8
		V	0.6-1.5	0.6-1.5	0.6-1.8	0.9-2.1	0.9-2.1	0.9-2.4	1.2-2.4	1.2-2.4	1.2-2.7
Nom. Length	Spread m	H	1.8-4.9	2.1-5.6	2.1-6.4	2.7-6.7	3.1-7.3	3.7-7.6	4.0-8.2	4.6-8.2	4.6-8.5
		V	0.9-1.8	0.9-1.8	0.9-2.4	1.2-2.7	1.2-2.7	1.2-3.1	1.5-3.1	1.5-3.1	1.5-3.7
0.9m	TP		17	26	35	48	63	79	97	115	134
	NC		19	25	31	35	39	43	46	48	50
1.2m	TP		9	13	18	25	32	40	50	59	68
	NC		-	-	20	24	28	32	35	37	39
1.5m	TP		6	9	12	16	21	26	32	38	44
	NC		-	-	-	18	22	26	29	31	33

4 Slot 13mm

Capacity m ³ /s			0.076	0.094	0.113	0.132	0.151	0.170	0.189	0.208	0.227
Projection, m		H	1.2-3.7	1.5-4.0	1.8-4.6	2.1-4.9	2.4-5.2	2.7-5.6	3.0-5.8	3.4-6.1	3.7-6.4
		V	0.3-1.2	0.6-1.5	0.6-1.8	0.6-2.1	0.9-2.1	0.9-2.4	0.9-2.4	1.2-2.7	1.2-2.7
Nom. Length	Spread m	H	1.8-5.6	2.1-5.8	2.7-6.7	3.1-7.3	3.7-7.6	4.0-8.2	4.6-8.5	4.9-9.2	5.6-9.4
		V	0.3-1.5	0.9-1.8	0.9-2.4	0.9-2.7	1.2-2.7	1.2-3.1	1.2-3.1	1.5-3.7	1.5-3.7
0.9m	TP		14	21	31	42	55	67	83	101	120
	NC		16	22	28	33	37	40	43	46	49
1.2m	TP		8	12	18	24	31	38	47	57	67
	NC		-	-	20	25	29	32	35	38	41
1.5m	TP		5	7	11	15	19	24	28	34	41
	NC		-	-	-	17	21	24	27	30	33

CSD-19 – Performance Data

Model: **CSD-19/CSDE-19/CSDL-19**

Plenum Supply

SLOTS	Total Press.	H	1	4	8	15	23	32	44	58
		V	1	3	6	11	17	24	32	43
1	m ³ /s/m		0.009	0.019	0.028	0.037	0.047	0.056	0.065	0.074
	Throw,m	H	0.3-0.9	0.3-2.7	0.9-3.4	1.5-4.0	2.4-4.6	2.7-4.9	3.1-5.2	3.4-8.0
		V	0.6	1.8	3.1	3.7	4.3	4.6	4.9	5.2
	NC		-	-	-	18	24	30	35	39
2	m ³ /s/m		0.019	0.037	0.056	0.074	0.093	0.112	0.130	0.149
	Throw,m	H	0.3-1.5	0.6-4.0	1.5-4.9	2.7-5.8	3.4-6.4	4.0-7.0	4.3-7.6	4.6-8.2
		V	1.2	2.7	4.3	5.2	5.8	6.4	7.0	7.3
	NC		-	-	-	23	29	35	40	44
3	m ³ /s/m		0.028	0.056	0.084	0.112	0.140	0.167	0.194	0.223
	Throw,m	H	0.3-2.4	1.2-4.9	2.1-6.1	3.4-7.0	4.3-7.9	4.9-8.5	5.6-9.2	5.8-9.8
		V	1.8	3.4	5.2	6.4	7.0	7.9	8.5	9.2
	NC		-	-	16	26	32	38	43	47
4	m ³ /s/m		0.037	0.074	0.112	0.149	0.186	0.223	0.260	0.298
	Throw,m	H	0.3-3.1	1.5-5.8	3.1-7.0	4.0-8.2	4.9-9.2	5.8-9.8	6.4-10.7	6.7-11.3
		V	1.8	4.0	5.8	7.3	8.2	9.2	9.8	10.4
	NC		-	-	18	28	34	40	45	49
5	m ³ /s/m		0.047	0.093	0.140	0.186	0.233	0.279	0.326	0.372
	Throw,m	H	0.6-3.4	1.8-6.4	3.4-7.9	4.6-9.2	5.6-10.1	6.4-11.0	7.0-11.9	7.6-12.8
		V	2.1	4.3	6.4	8.2	9.2	10.1	11.0	11.6
	NC		-	-	19	29	35	41	46	50
6	m ³ /s/m		0.056	0.112	0.167	0.223	0.279	0.335	0.391	0.446
	Throw,m	H	0.6-3.7	2.4-7.0	3.7-8.5	4.9-9.8	6.1-11.0	7.0-12.2	7.6-13.1	7.9-13.7
		V	2.4	4.6	7.3	9.2	10.1	11.0	11.9	12.8
	NC		-	-	20	30	36	42	47	51
7	m ³ /s/m		0.065	0.130	0.195	0.260	0.326	0.391	0.456	0.521
	Throw,m	H	0.9-3.7	2.7-7.6	4.0-9.2	5.6-10.7	6.7-11.9	7.6-13.1	8.2-14.0	8.8-14.9
		V	2.4	4.9	7.3	9.8	11.0	11.9	12.8	13.7
	NC		-	10	21	31	37	43	48	52
8	m ³ /s/m		0.074	0.149	0.223	0.298	0.372	0.446	0.521	0.595
	Throw,m	H	1.2-4.3	2.7-8.2	4.3-9.8	5.8-11.3	7.3-12.8	7.9-13.7	8.8-14.9	9.2-15.9
		V	2.4	4.9	7.3	10.1	11.6	12.8	13.7	14.6
	NC		-	11	22	32	38	44	49	53

Model: **CSDR-19/CSDR-19**

Plenum Return

SLOTS	Neg. S.P.	2	7	16	27	43	63	86	113
1	m ³ /s/m	0.015	0.031	0.047	0.062	0.078	0.093	0.109	0.124
	NC	-	-	18	26	32	37	41	45
2	m ³ /s/m	0.031	0.062	0.093	0.124	0.155	0.186	0.217	0.248
	NC	-	-	21	29	35	40	44	48
3	m ³ /s/m	0.047	0.093	0.140	0.186	0.233	0.279	0.326	0.372
	NC	-	-	23	31	37	42	46	50
4	m ³ /s/m	0.062	0.124	0.186	0.248	0.310	0.372	0.434	0.496
	NC	-	-	24	32	38	43	47	51
5	m ³ /s/m	0.078	0.155	0.233	0.310	0.388	0.465	0.543	0.620
	NC	-	-	25	33	39	44	48	52
6	m ³ /s/m	0.093	0.186	0.279	0.372	0.465	0.558	0.651	0.744
	NC	-	-	26	34	40	45	49	53
7	m ³ /s/m	0.109	0.217	0.326	0.434	0.543	0.651	0.760	0.868
	NC	-	-	27	35	41	46	50	54
8	m ³ /s/m	0.124	0.248	0.372	0.496	0.620	0.744	0.868	0.992
	NC	-	-	27	35	41	46	50	54

Ceiling Slot Diffusers

Model: **CSD-19/CSDE-19/CSDL-19** with CSDA or CSDA-I Supply Adapters

1 Slot 19mm											
Capacity m ³ /s			0.038	0.047	0.057	0.066	0.076	0.085	0.094	0.104	0.113
Projection, m		H	1.2-3.4	1.5-3.7	1.8-4.0	2.1-4.0	2.4-4.6	2.7-4.9	3.1-5.2	3.1-5.2	3.1-5.6
		V	0.9-1.8	0.9-2.1	1.2-2.4	1.5-2.4	1.5-2.7	1.5-3.1	1.8-3.1	1.8-3.1	1.8-3.1
Nom. Length	Spread m	H	1.8-4.6	2.1-4.9	2.7-5.8	3.1-6.4	3.7-6.7	4.0-6.7	4.0-7.3	4.6-7.6	4.6-8.2
		V	1.2-2.4	1.2-2.7	1.5-3.1	1.8-3.1	1.8-3.7	1.8-4.0	2.4-4.0	2.4-4.0	2.4-4.0
0.9m	TP		40	59	89	121	157				
	NC		27	33	39	44	48				
1.2m	TP		22	34	50	68	88	111	135	165	
	NC		18	24	30	35	39	42	45	48	
1.5m	TP		12	18	27	36	47	60	72	88	107
	NC		-	16	22	27	31	34	37	40	43

2 Slot 19mm											
Capacity m ³ /s			0.061	0.076	0.090	0.104	0.118	0.132	0.146	0.161	0.175
Projection, m		H	1.5-3.7	1.8-4.0	2.1-4.3	2.4-4.6	2.7-4.9	3.1-5.2	3.1-5.6	3.4-5.8	3.4-6.1
		V	0.6-1.8	0.9-1.8	1.2-2.1	1.2-2.1	1.5-2.4	1.5-2.4	1.5-2.7	1.5-2.7	1.5-2.7
Nom. Length	Spread m	H	2.1-5.6	2.7-5.8	3.1-6.4	3.7-6.7	4.0-7.3	4.6-7.6	4.6-8.5	4.9-8.5	4.9-9.1
		V	0.9-2.4	1.2-2.4	1.5-2.7	1.5-2.7	1.8-3.1	1.8-3.1	1.8-3.7	1.8-3.7	1.8-3.7
0.9m	TP		24	36	51	67	90	113	136		
	NC		23	29	35	39	43	47	50		
1.2m	TP		13	19	27	36	48	60	71	84	101
	NC		-	19	25	29	33	37	40	42	45
1.5m	TP		9	13	17	23	30	38	47	55	64
	NC		-	-	19	23	27	31	34	36	39

3 Slot 19mm											
Capacity m ³ /s			0.076	0.090	0.104	0.118	0.132	0.146	0.160	0.175	0.189
Projection, m		H	1.5-3.7	1.8-4.0	1.8-4.3	2.1-4.6	2.4-4.9	2.7-5.2	3.1-5.6	3.1-5.8	3.4-5.8
		V	0.6-1.5	0.9-1.8	0.9-1.8	0.9-2.1	1.2-2.1	1.2-2.4	1.5-2.4	1.5-2.4	1.5-2.4
Nom. Length	Spread m	H	2.1-5.6	2.7-5.8	2.7-6.4	3.1-6.7	3.7-7.3	4.0-7.6	4.6-8.2	4.6-8.5	4.9-8.5
		V	0.9-1.8	1.2-2.4	1.2-2.4	1.2-2.7	1.5-2.7	1.5-3.1	1.8-3.1	1.8-3.1	1.8-3.1
0.9m	TP		17	23	31	40	52	63	73	86	101
	NC		17	23	27	31	35	38	40	42	45
1.2m	TP		9	13	17	23	28	34	40	47	54
	NC		-	-	18	22	26	29	31	33	36
1.5m	TP		6	8	11	13	18	22	26	29	34
	NC		-	-	-	16	20	23	25	27	30

4 Slot 19mm											
Capacity m ³ /s			0.094	0.113	0.132	0.151	0.170	0.189	0.208	0.227	0.246
Projection, m		H	1.5-4.0	1.5-4.3	2.1-4.6	2.4-4.9	2.7-5.2	3.1-5.6	3.4-5.8	3.4-6.1	3.7-6.4
		V	0.6-1.8	0.9-1.8	0.9-2.1	1.2-2.1	1.2-2.1	1.2-2.4	1.5-2.4	1.5-2.7	1.5-2.7
Nom. Length	Spread m	H	2.1-5.8	2.7-6.4	3.1-6.7	3.7-7.3	4.0-7.6	4.6-8.2	4.9-8.5	4.9-9.2	5.6-9.4
		V	0.9-2.4	1.2-2.4	1.2-2.7	1.5-2.7	1.5-2.7	1.5-3.1	1.8-3.1	1.8-3.7	1.8-3.7
0.9m	TP		15	22	30	38	48	58	69	84	100
	NC		17	23	28	32	35	38	41	44	46
1.2m	TP		8	12	16	20	25	30	36	44	52
	NC		-	-	18	22	25	28	31	34	36
1.5m	TP		5	8	11	13	16	20	24	28	34
	NC		-	-	-	16	19	22	25	28	30

CSD-25 – Performance Data

Model: CSD-25/CSDE-25/CSDL-25

Plenum Supply

SLOTS	Total Press.	H	1	4	10	16	25	35	49	63
		V	1	3	6	10	15	21	29	38
1	m ³ /s/m		0.012	0.025	0.037	0.050	0.062	0.074	0.087	0.099
	Throw, m	H	0.3-0.9	0.6-3.4	0.9-4.0	1.8-4.6	2.7-5.2	3.4-5.8	3.7-6.1	3.7-6.7
		V	0.6	2.4	3.7	4.3	4.6	5.2	5.6	5.8
	NC		-	-	-	22	29	34	39	43
2	m ³ /s/m		0.025	0.05	0.074	0.099	0.124	0.149	0.174	0.198
	Throw, m	H	0.3-1.8	0.9-4.6	1.8-5.8	3.4-6.7	4.3-7.3	4.6-8.2	4.9-8.5	5.6-9.5
		V	1.5	3.4	4.9	5.8	6.7	7.3	7.9	8.5
	NC		-	-	18	27	34	39	44	48
3	m ³ /s/m		0.037	0.074	0.112	0.149	0.186	0.223	0.26	0.298
	Throw, m	H	0.3-3.1	1.2-5.8	3.1-7.0	4.0-8.2	4.9-9.2	5.8-9.8	6.1-10.7	6.7-11.4
		V	2.1	4	6.1	7.3	8.2	8.8	9.8	10.4
	NC		-	-	21	30	37	42	47	51
4	m ³ /s/m		0.05	0.099	0.149	0.198	0.248	0.298	0.347	0.397
	Throw, m	H	0.6-3.4	1.8-6.7	3.7-8.2	4.6-9.5	6.1-10.4	6.7-11.3	7.3-12.2	7.6-13.1
		V	2.4	4.6	7	8.5	9.5	10.4	11	11.9
	NC		-	-	23	32	39	44	49	53
5	m ³ /s/m		0.062	0.124	0.186	0.248	0.31	0.372	0.434	0.496
	Throw, m	H	0.6-4.0	2.4-7.3	4.0-9.2	5.6-10.4	6.7-11.6	7.3-12.8	7.9-13.7	8.5-14.6
		V	2.7	5.2	7.6	9.5	10.4	11.6	12.5	13.1
	NC		-	-	24	33	40	45	50	54
6	m ³ /s/m		0.074	0.149	0.223	0.298	0.372	0.446	0.521	0.595
	Throw, m	H	0.9-4.3	2.7-8.2	4.6-9.8	5.8-11.4	7.3-12.8	8.2-13.7	8.8-14.9	9.2-15.9
		V	2.7	5.8	8.5	10.4	11.6	12.5	13.7	14.6
	NC		-	-	25	34	41	46	51	55
7	m ³ /s/m		0.087	0.174	0.26	0.347	0.434	0.521	0.608	0.694
	Throw, m	H	0.9-4.6	3.1-8.5	4.6-10.7	6.4-12.2	7.9-13.7	8.8-14.9	9.5-16.2	10.1-17.1
		V	3.1	6.1	9.2	11	12.5	13.7	14.6	15.9
	NC		-	-	26	35	42	47	52	56
8	m ³ /s/m		0.099	0.198	0.298	0.397	0.496	0.595	0.694	0.794
	Throw, m	H	1.2-4.9	3.4-9.5	4.9-11.4	6.7-13.1	8.5-14.6	9.2-15.8	10.1-17.1	10.7-18.3
		V	3.4	6.7	9.8	11.9	13.1	14.6	15.9	16.8
	NC		-	-	27	36	43	48	53	57

Model: CSDR-25/CSDR-25

Plenum Return

SLOTS	Neg. S.P	5	10	18	27	40	54	70	113
1	m ³ /s/m	0.031	0.047	0.062	0.078	0.093	0.109	0.124	0.155
	NC	-	-	19	25	30	34	38	44
2	m ³ /s/m	0.062	0.093	0.124	0.155	0.186	0.217	0.248	0.310
	NC	-	-	22	28	33	37	41	47
3	m ³ /s/m	0.093	0.140	0.186	0.233	0.279	0.326	0.372	0.465
	NC	-	-	24	30	35	39	43	49
4	m ³ /s/m	0.124	0.186	0.248	0.310	0.372	0.434	0.496	0.620
	NC	-	17	25	31	36	40	44	50
5	m ³ /s/m	0.155	0.232	0.310	0.387	0.465	0.542	0.620	0.775
	NC	-	18	26	32	37	41	45	51
6	m ³ /s/m	0.186	0.279	0.372	0.465	0.558	0.651	0.744	0.930
	NC	-	19	27	33	38	42	46	52
7	m ³ /s/m	0.217	0.325	0.434	0.542	0.651	0.759	0.868	1.085
	NC	-	20	28	34	39	43	47	53
8	m ³ /s/m	0.248	0.372	0.496	0.620	0.744	0.868	0.992	1.240
	NC	-	20	28	34	39	43	47	53

Ceiling Slot Diffusers

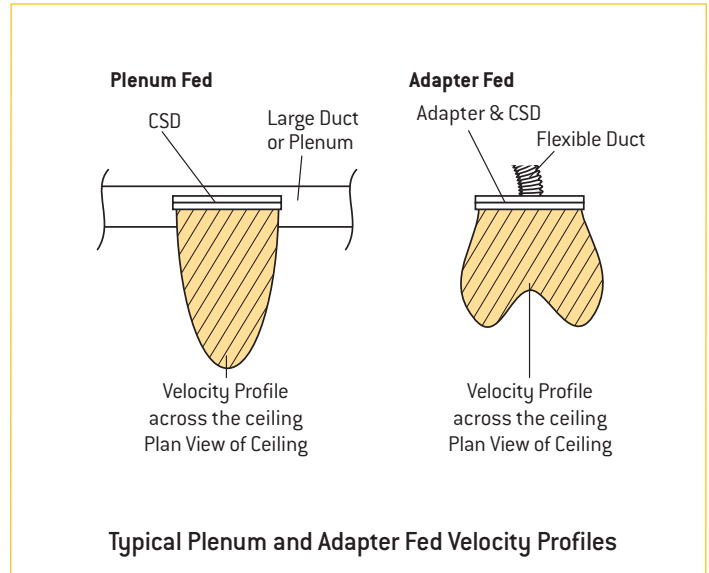
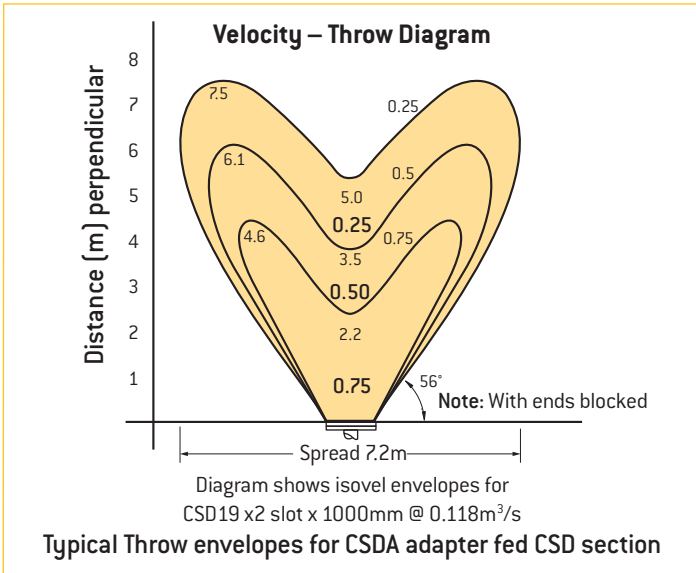
Model: **CSD-25/CSDE-25/CSDL-25** with **CSDA** or **CSDA-I** Supply Adapters

1 Slot 25mm			Capacity m ³ /s	0.047	0.057	0.066	0.076	0.085	0.094	0.104	0.113	0.123
Projection, m		H	1.2-3.4	1.5-3.7	1.8-4.0	2.1-4.3	2.4-4.6	2.7-4.9	3.1-5.2	3.1-5.2	3.1-5.2	3.1-5.6
		V	0.6-1.8	0.9-2.1	0.9-2.1	0.9-2.4	1.2-2.4	1.2-2.7	1.5-2.7	1.5-2.7	1.5-2.7	1.8-3.1
Nom. Length	Spread m	H	1.8-4.9	2.15-6	2.7-5.8	3.1-6.4	3.7-6.7	4.0-7.3	4.6-7.6	4.6-7.6	4.6-7.6	4.6-8.2
		V	0.9-2.4	1.2-2.7	1.2-2.7	1.2-3.1	1.5-3.1	1.5-3.7	1.8-3.7	1.8-3.7	1.8-3.7	2.4-4.0
0.9m	TP		42	60	80	105	134	162				
	NC		28	34	39	42	46	49				
1.2m	TP		21	31	42	55	68	83	103	122		
	NC		19	25	30	33	37	40	43	46		
1.5m	TP		13	19	25	33	41	51	61	72	88	
	NC		-	17	22	25	29	32	35	38	40	

2 Slot 25mm			Capacity m ³ /s	0.076	0.090	0.104	0.118	0.132	0.146	0.161	0.175	0.189
Projection, m		H	1.5-3.7	1.8-4.3	2.1-4.6	2.4-4.9	2.7-5.2	3.1-5.6	3.4-5.6	3.4-5.8	3.4-5.8	3.4-6.1
		V	0.6-1.8	0.9-2.1	0.9-2.1	0.9-2.1	1.2-2.4	1.2-2.4	1.5-2.4	1.5-2.7	1.5-2.7	1.5-2.7
Nom. Length	Spread m	H	2.1-5.6	2.7-6.7	3.1-6.7	3.7-7.3	4.0-7.6	4.6-8.2	4.9-8.2	4.9-8.5	4.9-8.5	4.9-9.2
		V	0.9-2.4	1.2-2.7	1.2-2.7	1.2-2.7	1.5-3.1	1.5-3.1	1.8-3.1	1.8-3.7	1.8-3.7	1.8-3.7
0.9m	TP		25	36	48	63	80	97	114			
	NC		24	29	34	37	41	44	46			
1.2m	TP		14	19	26	34	42	51	60	70	83	
	NC		-	19	24	27	31	34	36	39	42	
1.5m	TP		9	12	16	21	26	31	37	44	51	
	NC		-	-	17	20	24	27	29	32	35	

3 Slot 25mm			Capacity m ³ /s	0.090	0.104	0.118	0.132	0.146	0.161	0.175	0.189	0.203
Projection, m		H	1.5-3.7	1.8-4.3	1.8-4.6	2.1-4.6	2.4-4.9	2.4-5.2	2.7-5.6	3.1-5.6	3.1-5.6	3.4-5.8
		V	0.6-1.8	0.6-1.8	0.9-1.8	0.9-2.1	0.9-2.1	0.9-2.1	1.2-2.4	1.2-2.4	1.2-2.4	1.2-2.4
Nom. Length	Spread m	H	2.1-5.6	2.7-6.4	2.7-6.7	3.1-6.7	3.7-7.3	3.7-7.6	4.0-8.2	4.6-8.2	4.6-8.2	4.9-8.5
		V	0.9-2.4	0.9-2.4	1.2-2.4	1.2-2.7	1.2-2.7	1.2-2.7	1.5-3.1	1.5-3.1	1.5-3.1	1.5-3.1
0.9m	TP		16	22	28	35	43	51	60	69	80	
	NC		18	23	26	30	33	36	38	41	43	
1.2m	TP		9	12	16	19	23	28	32	37	44	
	NC		-	-	-	19	22	25	27	30	32	
1.5m	TP		6	7	10	12	15	17	20	24	27	
	NC		-	-	-	-	-	18	20	23	25	

4 Slot 25mm			Capacity m ³ /s	0.113	0.132	0.151	0.170	0.189	0.208	0.227	0.246	0.264
Projection, m		H	1.5-4.3	1.8-4.6	2.1-4.9	2.4-5.2	2.7-5.6	3.1-5.6	3.1-5.8	3.4-6.1	3.4-6.1	3.7-6.4
		V	0.6-1.8	0.6-1.8	0.9-1.8	0.9-2.1	1.2-2.1	1.2-2.4	1.2-2.4	1.5-2.4	1.5-2.7	1.5-2.7
Nom. Length	Spread m	H	2.1-6.4	2.7-6.7	3.1-7.3	3.7-7.6	4.0-8.2	4.6-8.2	4.6-8.5	4.9-9.2	4.9-9.2	5.6-9.4
		V	0.9-2.4	0.9-2.4	1.2-2.4	1.2-2.7	1.5-2.7	1.5-3.1	1.5-3.1	1.8-3.1	1.8-3.7	1.8-3.7
0.9m	TP		15	21	26	33	40	48	57	68	80	
	NC		18	23	26	30	33	36	39	41	44	
1.2m	TP		8	11	14	17	21	25	30	36	42	
	NC		-	-	-	19	22	25	28	30	33	
1.5m	TP		6	8	10	12	15	17	21	24	29	
	NC		-	-	-	-	17	20	23	25	28	



Performance Notes

General Notes on performance charts for single or multi slot linear diffusers in this section.

- All pressures are Pa [N/m²].
- Projection (throw) values in metres are based upon the performance of a one metre long active section.** When only 300mm is active, the values are 0.6 times those shown. For a 3 metre long continuous length, the values are 1.8 times those shown. See table below:

Length mm	300	400	500	600	700	800	900	1000	1200	1500	1800	2000	2400	3000
Correction Factor	0.6	0.66	0.72	0.8	0.84	0.9	0.96	1	1.08	1.2	1.32	1.4	1.56	1.8

H : Horizontal projection : Minimum is to a terminal velocity of 0.75m/s and maximum to 0.25m/s.

V : Vertical projection is to a terminal velocity of 0.25m/s.

- Spread is the maximum width of the jet defined by the above velocities.
- N.C. values are based upon horizontal projection from a three metre active section and a room absorption of 10dB re 10⁻¹² watts.**

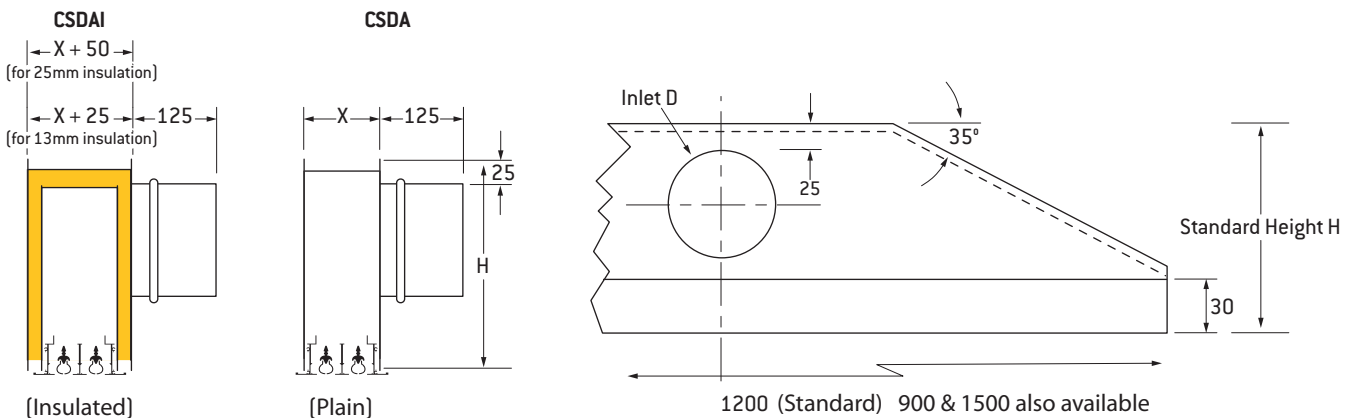
Vertical projection values are 11dB less than listed.

- N.C. correction for length:

Length mm	300	600	1000	1200	1800	2400	3000	4500	6000	7500	9000
Supply	-16	-11	-7	-6	-3	-2	0	+3	+5	+6	+8
Return	-10	-7	-5	-4	-2	-1	0	+2	+3	+4	+5

- Figures for plenum fed diffusers are for essentially zero inlet velocity. The velocity profile is relatively uniform for the length of the active section.
- Figures for adapter fed diffusers take account of the effect of the adapter and inlet neck on diffuser velocities which tend to be less uniform and produce a velocity profile of the shape shown in the Velocity-Throw diagram above. The 0.25m/s isovel generally shows a projection reduction at the centre of approximately 25%.

CSDA Adapters



CSDA Dimensions

No. of Slots	CSD-13			CSD-19			CSD-25			Guide Weights	
	D	H	X	D	H	X	D	H	X	CSDA	CSDAI
1	100	195	46	100	195	53	125	220	60	1200	1200
2	125	220	79	125	245	92	150	245	104	4.78	5.08
3	150	245	110	150	270	130	200	295	149		
4	175	270	143	175	295	168	200	295	191		

Notes: 1. For sizes other than shown Standard Height H = inlet Diameter +100.

2. Construction details may vary*.

3. Premi-aire™ versions available*.

* Please check with your local Holyoake branch.